



- 2 axes position display for incremental encoders
- Compact housing
- 3 axes version available on request



MC221

FUNCTIONS

Set value, power down memory, scaling factor, edge evaluation, counting direction, decimal point, key functions, reset and set logic, absolute/relative mode, offset logic, offset value, In- and output logic, security code, reference pulse

ENVIRONMENTAL SPECIFICATIONS

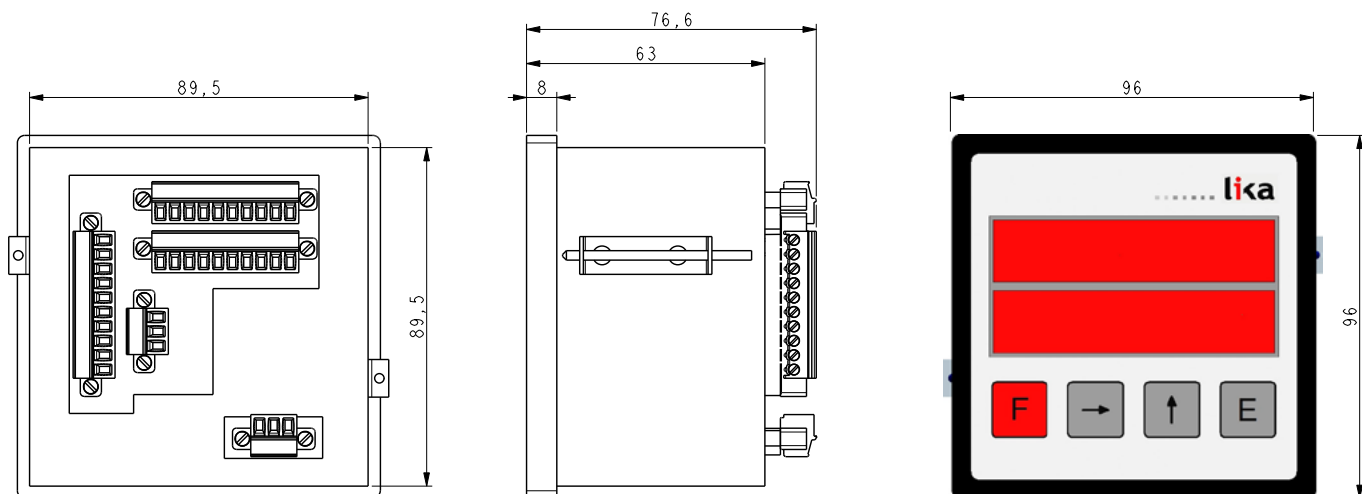
Operating temperature range:	0°C +50°C (+32°F, +122°F)
Storage temperature range:	-20°C +65°C (-4°F, +149°F)
Protection:	IP42 front, IP20 back

MECHANICAL SPECIFICATIONS

Dimensions:	96 x 96 x 72 mm ³ (incl. connectors)
Cut out:	92 x 92 mm ²
Display:	2 x 6 digit x 14 mm (-999999 ÷ 999999)

ELECTRICAL SPECIFICATIONS

Power supply:	24 Vdc +10%
Consumption:	170 mA max. (excl. encoders)
Counting frequency:	500 kHz max.
Encoder input:	2 x ABO, ABO /ABO (HTL + TTL)
Power supply for encoder:	5 Vdc/24 Vdc
Digital inputs:	4 for preset, reset, abs/rel mode
Interface:	RS232 (optional)
Outputs:	2 digital outputs 24V@600 mA, PNP (optional)



MC221

Order code

MC221	-	XX ⓐ	-	XXX ⓑ	-	XX ⓒ	-	XX ⓓ
-------	---	---------	---	----------	---	---------	---	---------

ⓐ POWER SUPPLY
P8 = 24Vdc ± 10%

ⓑ INPUT
M12 = ABO, ABO /ABO

ⓒ INTERFACE
- = no interface
I1 = RS232 interface

ⓓ OUTPUT
- = no output
01 = 2 digital outputs