

- Quasi-absolute LCD display, 14 mm height
- Max. display accuracy 0,01 mm or 1/64 inch
- Actual value memory
- Linear & Angular display mode
- Panel mount housing
- Fixed or pluggable sensor
- Reading distance sensor/tape up to 1 mm
- RS232 interface (optional)



LD140

## PARAMETERS

3 offset values, Preset value, Linear and angular display mode, mm & fractional inch display, Relative/absolute measurement

## ENVIRONMENTAL SPECIFICATIONS

Operating temperature range:	0°C to +50°C (+32°F to +122°F)
Storage temperature range:	-20°C to +80°C (-4°F to +176°F)
Protection:	IP60 front, IP40 back

## MECHANICAL SPECIFICATIONS

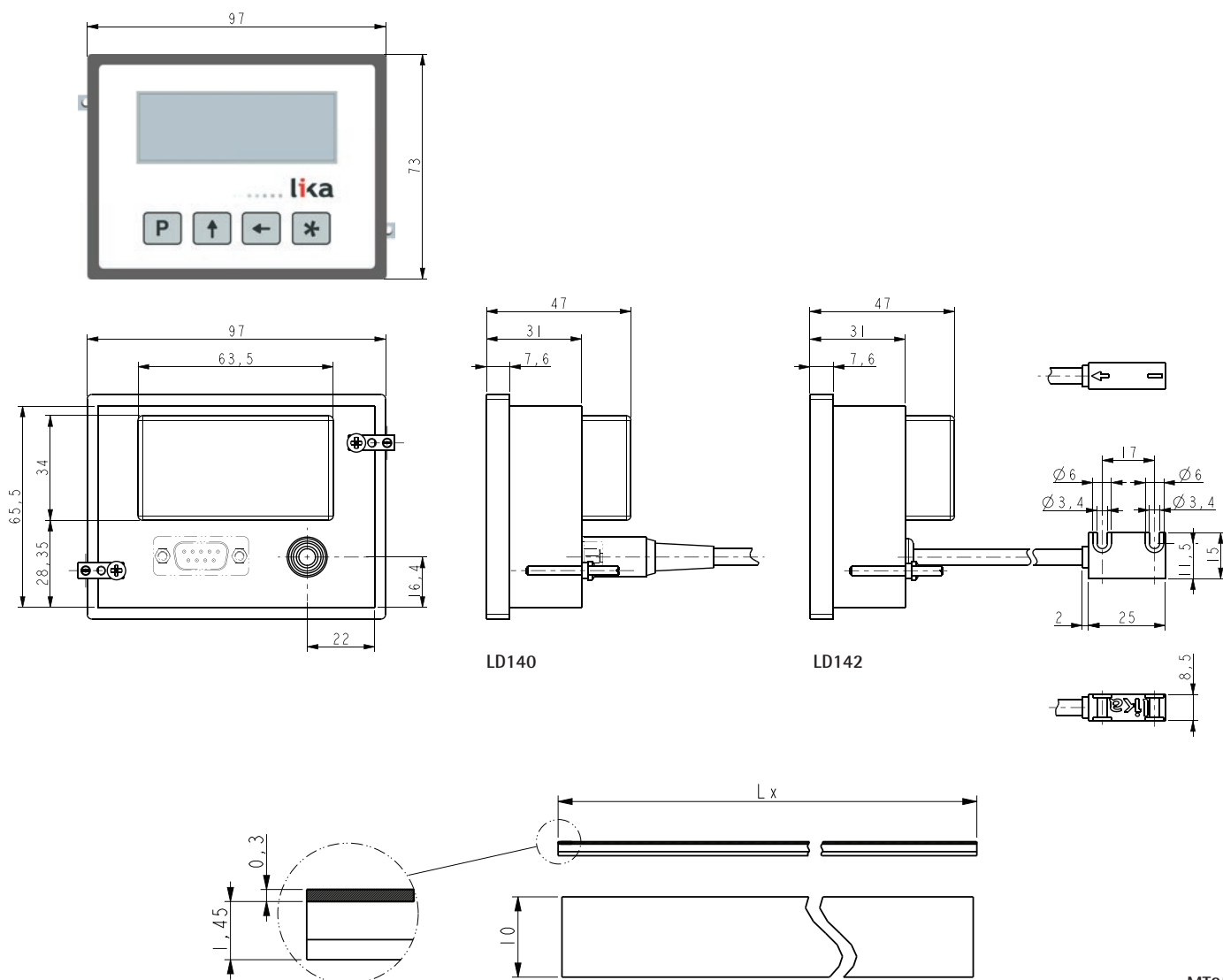
Display resolution:	max. 0,01 mm or 1/64 inch
System accuracy:	± 0,05 mm typ.
Repeat accuracy:	± 1 digit
Display range:	-999999 to 999999
Measurement speed:	max. 5 m/s
Magnetic sensor:	SM25
Reading distance sensor/tape:	0,1 - 1,0 mm
Dimensions:	see drawing
Cut-out:	91,5 x 67,5 mm <sup>2</sup>
Connections:	Battery holder (AAA type) Cable (sensor) DSub 9 pin (RS232)

## ELECTRICAL SPECIFICATIONS

Power supply:	Integrated 1,5V battery
Consumption:	~ 700 µA
Interface:	RS232 (optional)

## ACCESSORIES

SM25:	Magnetic sensor
MT25:	Magnetic tape
PF4012:	Fixing support



MT25

Order code - Display

LD140	-	XX ⓐ	-	XX ⓑ
-------	---	---------	---	---------

ⓐ INPUT M7 = magnetic sensor	ⓑ INTERFACE I1 = RS232
---------------------------------	---------------------------

Order code - Display

LD142	-	XX ⓐ	X ⓑ	XX ⓒ	-	XX ⓓ
-------	---	---------	--------	---------	---	---------

ⓐ INPUT M7 = magnetic sensor	ⓑ SENSOR R = rectangular	ⓒ CABLE LENGTH 0,2 = cable 0,2 m X = cable X meters (5 meters max.)	ⓓ INTERFACE I1 = RS232
---------------------------------	-----------------------------	--	---------------------------

Order code - Sensor

SM25	-	R ⓐ	XX ⓑ
------	---	--------	---------

ⓐ SENSOR R = rectangular	ⓑ CABLE LENGTH 0,2 = cable 0,2 meter 1 = cable 1 meter X = cable X meters (5 meters max.)
-----------------------------	---

Order code - Tape

MT25	-	XX ⓐ	-	XXX ⓑ	-	X ⓒ
------	---	---------	---	----------	---	--------

ⓐ LENGTH 1 = 1,0 m 2 = 2,0 m 4 = 4,0 m 10 = 10,0 m 20 = 20,0 m 30 = 30,0 m	ⓑ ACCURACY CLASS 100 = ± 85 µm/m 50 = ± 35 µm/m (up to 30 m) ⓒ COVER STRIP 1 = included
--	---