

- Universal display with multiple inputs
- Works with HTL, TTL, SSI and sine/cosine encoders
- High brightness LEDs, 8 digits, 10 mm
- RS232 interface
- Dedicated menus for angular & linear encoders
- mm, inch & fractional inch display



LD200

PARAMETERS

Offset value, Preset, mm/inch/fractional inch display, Angular display mode (360°), Limit switches

ENVIRONMENTAL SPECIFICATIONS

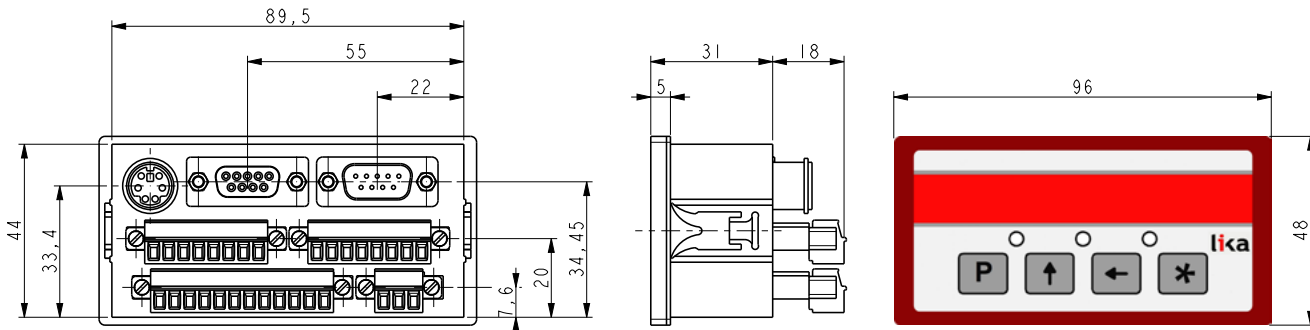
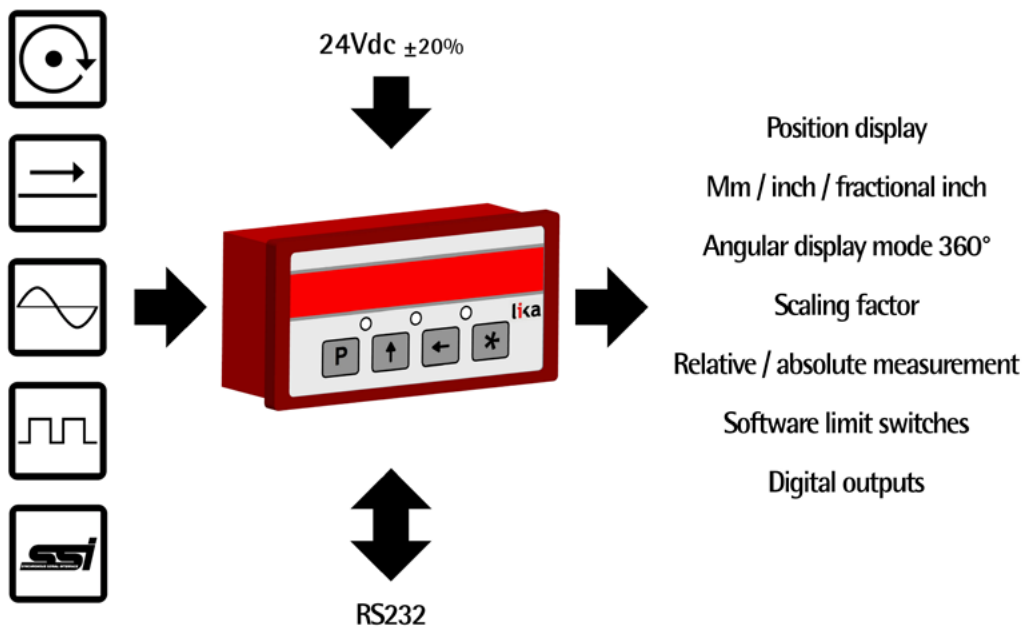
Operating temperature range:	0°C to +70°C (+32°F to +158°F)
Storage temperature range:	-20°C to +80°C (-4°F to +176°F)
Protection:	IP65 front, IP20 overall

MECHANICAL SPECIFICATIONS

Display range:	-99999999 to 99999999
Dimensions:	see drawing
Cut-out:	90 x 44 mm ²
Connections:	Terminal blocks DSub 9 pin (RS232) MiniDIN (SM sensors)

ELECTRICAL SPECIFICATIONS

Power supply:	24Vdc ±20%
Consumption:	4,5 W
Counting frequency:	1 MHz for incremental signals 6 kHz for sine/cosine signals
Sensor input:	Push-Pull (HTL), RS422 (TTL), 1Vpp, SSI SM5/SM2 magnetic sensors
Interface:	RS232
Outputs:	3 x 24V @ 23 mA max.
Inputs:	1 x Vin 30V max.



LD200

Order code

LD200	-	XX ⓐ
-------	---	---------

ⓐ POWER SUPPLY P8 = 24 Vdc ± 20%
