

ROTAPULS

Feedback encoder for gearless motors

Series

CB62



- Expansion flange for easy installation (plug&play)
- Pin compatible connector with market product
- 2048 PPR sine/cosine output
- CD-track for rotor/stator position
- Tapered shaft for precise installation



CB62

ENVIRONMENTAL SPECIFICATIONS

Shock:	250 g, 6 ms acc. to CEI EN 60068-2-27
Vibrations:	10 g, 5-2000 Hz acc. to CEI EN 60068-2-6
Protection:	IP40
Operating temperature range:	-20°C+100°C (-4°F +212°F)
Storage temperature range:	-40°C+100°C (-40°F +212°F) (98% R.H. without condensation)

MECHANICAL SPECIFICATIONS

Dimensions:	see drawing
Shaft diameter:	solid, 1:10 taper
Shaft loading (axial, radial):	40 N max.
Shaft rotational speed:	10000 rpm max.
Starting torque at 20°C:	0,15 Ncm (typical)
Bearings life:	10 ⁹ rev. min.
Electrical connections:	PCB connector (connection cable to be ordered separately)
Weight:	~ 200 g (7 oz)

ELECTRICAL SPECIFICATIONS

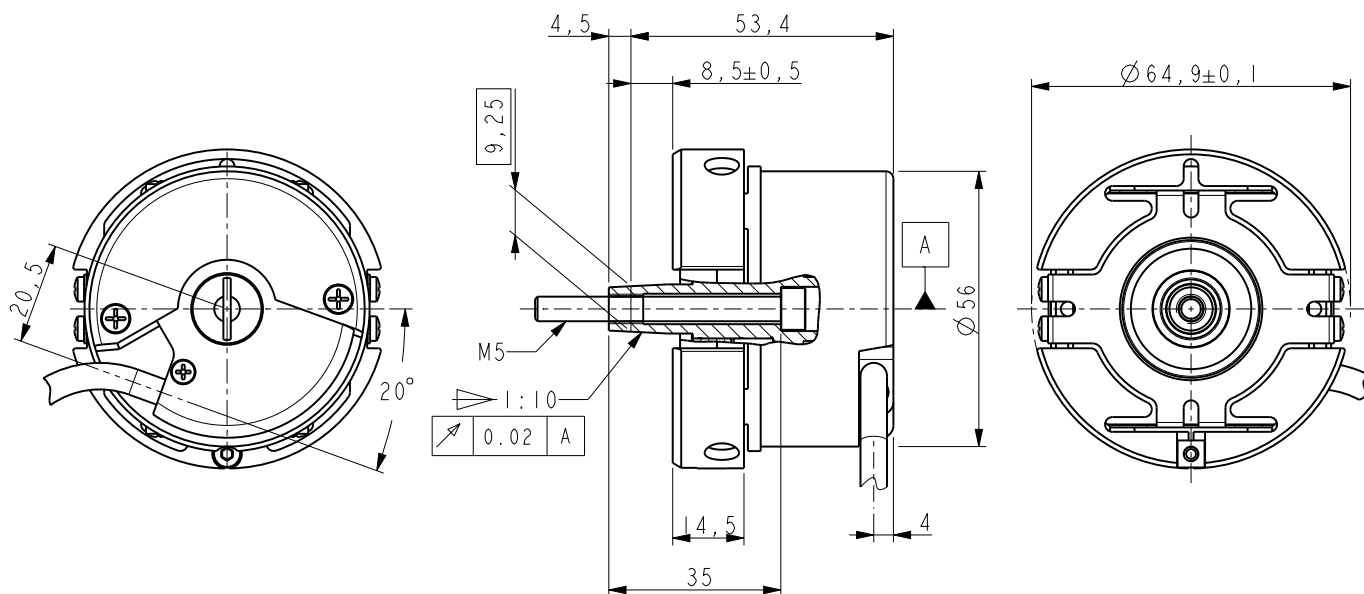
Resolution (PPR):	2048 + absolute CD-track
Counting frequency:	300 kHz max.
Output circuits:	1Vpp
Power supply:	+5V±5%
Consumption:	130 mA max.
Output current (each channel):	40 mA max.
EMC:	electro-magnetic immunity, according to: EN 61000-4-2 EN 61000-4-4
Optoelectronic life:	100.000 hrs min.

MATERIALS

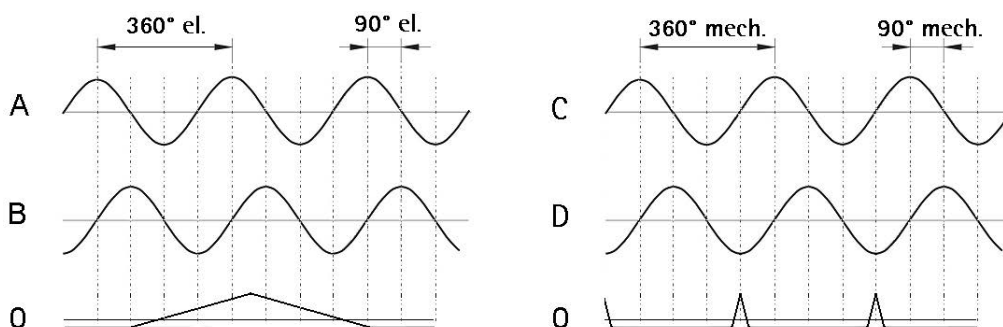
Flange:	aluminium, anticorrosive, UNI EN AW-6082
Housing:	aluminium, anticorrosive, UNI EN AW-6082
Bearings:	ABEC 5
Shaft:	stainless steel, non-magnetic - UNI EN 4305

ACCESSORIES

EC-CB61-1:	Connection cable 1 m
EC-CB61-4:	Connection cable 4 m
EC-CB61-7:	Connection cable 7 m



CB62



Order code

CB62	-	X a	-	XXXX/X b	X c	XXX d	/Sxxx e
------	---	--------	---	-------------	--------	----------	------------

Accessories order code

EC	-	CB61	-	X
----	---	------	---	---

<p>a OUTPUT CIRCUIT V = 1 V_{pp} sine/cosine</p> <p>b RESOLUTION (PPR) 2048/0 = 2048 PPR ABZ /ABZ 2048/1 = 2048 PPR ABZ /ABZ + CD track</p>	<p>c SUPPLY VOLTAGE 1 = +5V ±5%</p> <p>d SHAFT DIAMETER C10 = 1:10 taper</p>
e CUSTOM VERSION	

<p>EC-CB61-1 = Connection cable 1 m</p> <p>EC-CB61-4 = Connection cable 4 m</p> <p>EC-CB61-7 = Connection cable 7 m</p>
