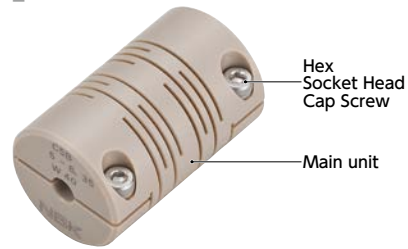


Structure



- This is a resin spring coupling with single-piece construction. A slit is inserted into a cylindrical material.
- PEEK superior in physical properties and electrical insulation is adopted.
- A plate spring formed by a slit allows eccentricity, argument, and end-play to be accepted.

Property

| | MSXP-C-W-SP |
|---------------------------------|----------------|
| Zero Backlash | ⊙ |
| Allowable Misalignment | ○ |
| Electrical Insulation | ⊙ |
| Allowable Operating Temperature | -20°C to 120°C |

Application

High frequency power / Matching box

Material/Finish

RoHS2 Compliant

| | MSXP-C-W-SP |
|---------------------------|-------------------------------|
| Main unit | PEEK (Polyether ether ketone) |
| Hex Socket Head Cap Screw | SUSXM7 |

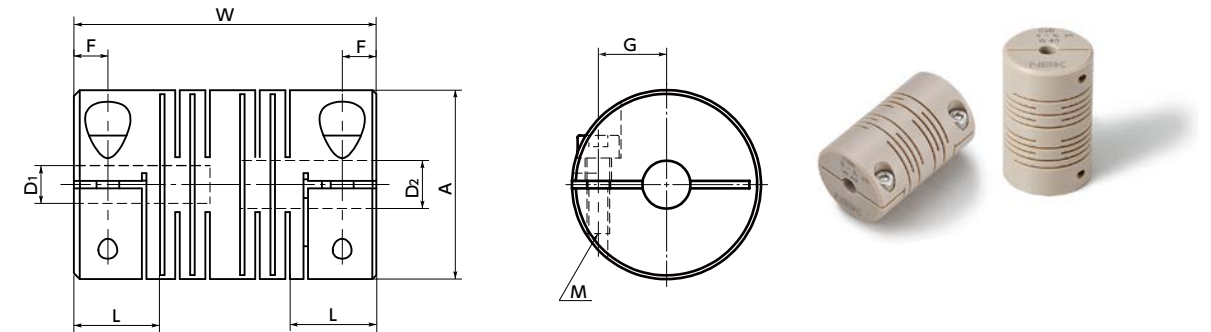
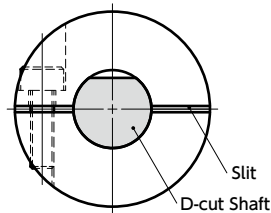
⚠ Precautions for Use

- Mounting on D-cut shaft

In principle, use a round shaft.

If a D-cut shaft is used, an excessive load due to tightening by the hex socket head cap screw may damage the coupling, depending on the mounting position of the D-cut surface of the shaft.

When using a D-cut shaft, mount so that the D-cut surface of the shaft avoids contact with the coupling slit as much as possible.



Dimensions

Unit : mm

| Part Number | A | L | W | F | G | M | D ₁ | D ₂ | Screw Tightening Torque (N·m) |
|--------------------------------|----|------|----|-----|---|----|----------------|----------------|-------------------------------|
| MSXP-25C-W40-5-6.35-SP3 | 25 | 11.4 | 40 | 4.5 | 9 | M3 | 5 | 6.35 | 0.6 |

- All products are provided with hex socket head cap screw. → P.258

Performance

| Part Number | Rated torque*1 (N·m) | Max. torque*1 (N·m) | Max. Rotational Frequency (min ⁻¹) | Moment of Inertia(kg·m ²) | Static Torsional Stiffness (N·m/rad) | Max. Lateral Misalignment (mm) | Max. Angular Misalignment(°) | Max. Axial Misalignment (mm) | Mass(g) |
|--------------------------------|----------------------|---------------------|--|---------------------------------------|--------------------------------------|--------------------------------|------------------------------|------------------------------|---------|
| MSXP-25C-W40-5-6.35-SP3 | 1.3 | 2.6 | 6000 | 1.9×10 ⁻⁶ | 50 | 0.3 | 1.2 | ±0.33 | 23 |

*1 : Correction of rated torque and max. torque due to load fluctuation is not required.

- Part number specification

MSXP-25C-W40-5-6.35-SP3

