

Smart encoders & actuators

To
Our customers

k. attn. Purchasing Manager
Technical Manager

Carrè, 11.01.2019
Our ref.: NPC19001 C51 obsolescence

Subject: Notification of Change

Dear Customer,

In the process of continuous improvement to the quality, reliability and competitiveness of our products it is necessary to make occasional updates or changes to one of our products.

Details thereof are given in this letter and/or attachment.
We would be happy to answer any queries you might have.

Date of change:
January 2019

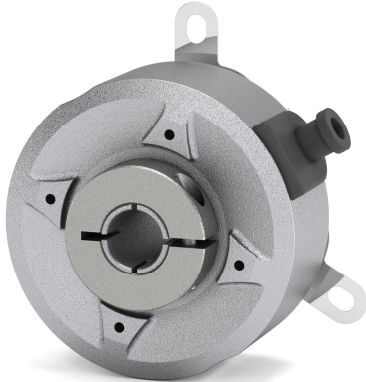
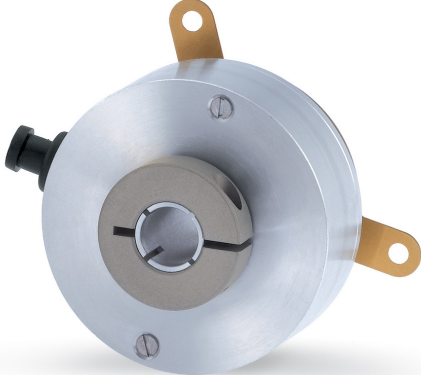
Product involved:
Incremental encoder C51

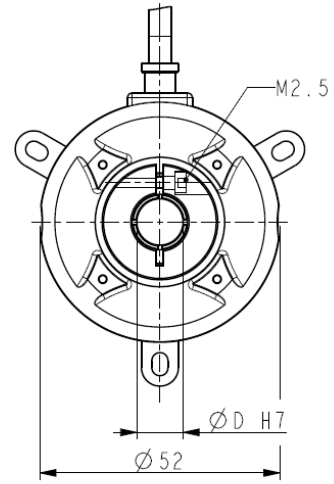
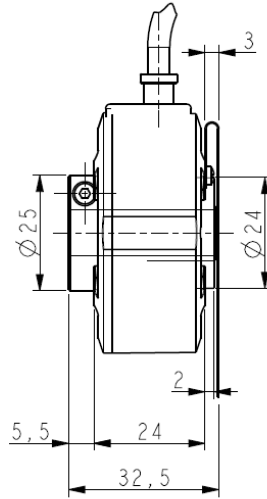
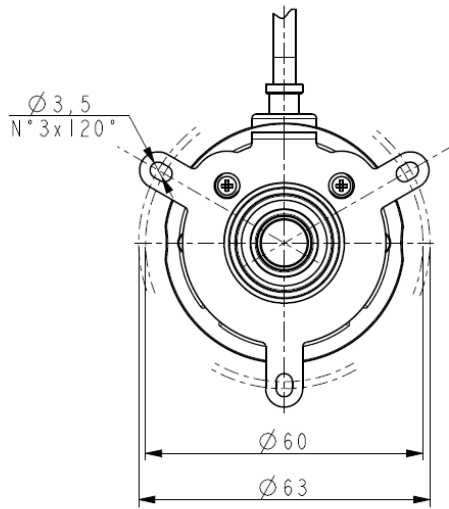
Description of the product changes:
Obsolescence of the product.

The complete range of C51 encoders will be replaced by an equivalent version of the C50 series.
The C50 series has same or better technical specifications and can therefore be used to fully replace the C51.

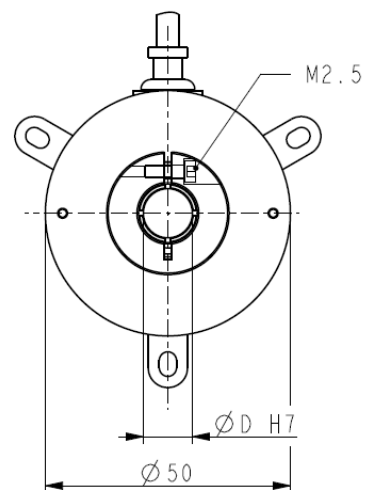
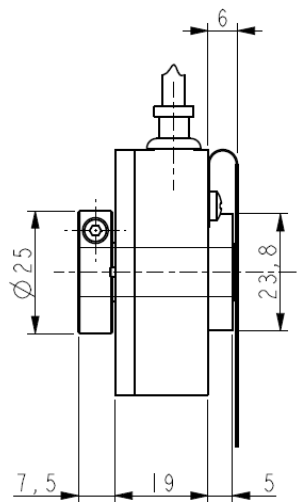
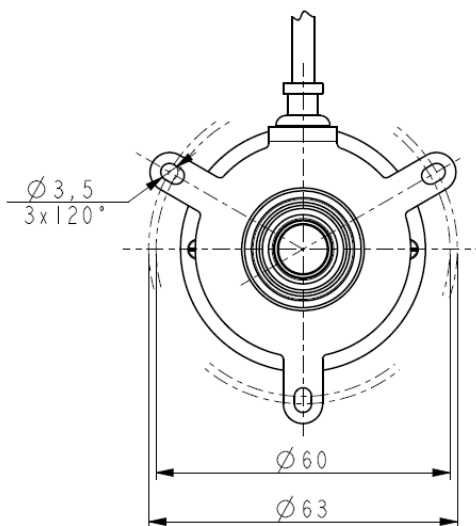
All resolutions previously available only for C51 will be added to the C50 series.

Comparison table / list of differences

Series	C50	C51
Picture		
Housing material	Die cast Zamac	Anticorodal aluminium
Dimensions	Housing diameter Ø52mm Total length 32.5 mm No change in fixing method. (see drawings)	Housing diameter Ø50mm Total length 31.5 mm
Resolution (PPR)	6, 10, 12, 25, 40, 50 100, 180, 200, 256, 300, 360, 400, 400, 512, 600, 1000, 1024, 1500, 2000, 2048, 2500, 4000, 4096, 8192	6, 10, 12, 25, 40, 50, 1500
Avantages of C50	<ul style="list-style-type: none"> - more competitive price - broader range of resolutions available - more fixing plates - higher production volume 	



C50



C51

Best Regards
LIKA ELECTRONIC Srl
Marco Calabrese

Managing Dir. Sales & Marketing