

Smart encoders & actuators

To
all Customers & Sales partners

k. attn. Purchasing Manager
Product obsolescence Manager
Technical Manager

Carrè, 31.08.2020
Our ref.: NPC20001 AM9_AMC9 obsolescence

Subject: Notification of Change to AM9 & AMC9

Dear Customer,

In the process of continuous improvement to the quality, reliability and competitiveness of our products it is necessary to make occasional updates or changes to one of our products.

Details thereof are given in this letter and/or attachment.
We would be happy to answer any queries you might have.

Date of change: September 2020**Product changes: PRODUCT OBSOLESCENCE**

Encoder models AM9 and AMC9 (see attached datasheet for reference) will be obsolete.

Spares are still available, but in a limited number. We therefore recommend to place your spare part orders within 31.10.2020 to avoid product shortage.

Currently there is no one-to-one replacement product. For more detailed information on possible alternative products, please contact your technical-sales engineer at Lika or local distributor.

You are welcome to address your sales engineer for technical issues, and certainly our sales assistants Ms. Chiara Zane or Francesca Tomasi for any ordering issue.

Best Regards
LIKA ELECTRONIC Srl

Sales department.



- Compact & flat multi turn encoder
- Resolution up to 4096 cpr x 4096 turns
- Radial M23 connector output
- AM9 with Ø 10 mm solid shaft
- AMC9 with Ø 15 mm through hollow shaft



AMC9 • AM9

ENVIRONMENTAL SPECIFICATIONS

Shock:	100 g, 6 ms
Vibrations:	10 g, 5-2000 Hz
Protection:	IP65
Operating temperature range:	-25°C +85°C (-13°F +185°F)
Storage temperature range:	-25°C +85°C (-13°F +185°F) (98% R.H. without condensation)

MECHANICAL SPECIFICATIONS

Dimensions:	see drawing
Shaft diameter:	Ø 10 mm
Hollow shaft diameter:	Ø 15 mm
Reducing sleeves BR1-xx from Ø 15 mm to:	Ø 6, 8, 9.52, 10, 11, 12 mm
Shaft loading (axial, radial):	100 N max.
Shaft rotational speed:	6000 rpm max.
Bearings life:	400x10 ⁶ rev. min. (10 ⁹ rev. min. with shaft loading of 20 N max.)
Electrical connections:	M23, 12 pin plug
Weight:	~ 400 g (14,1 oz)

ELECTRICAL SPECIFICATIONS

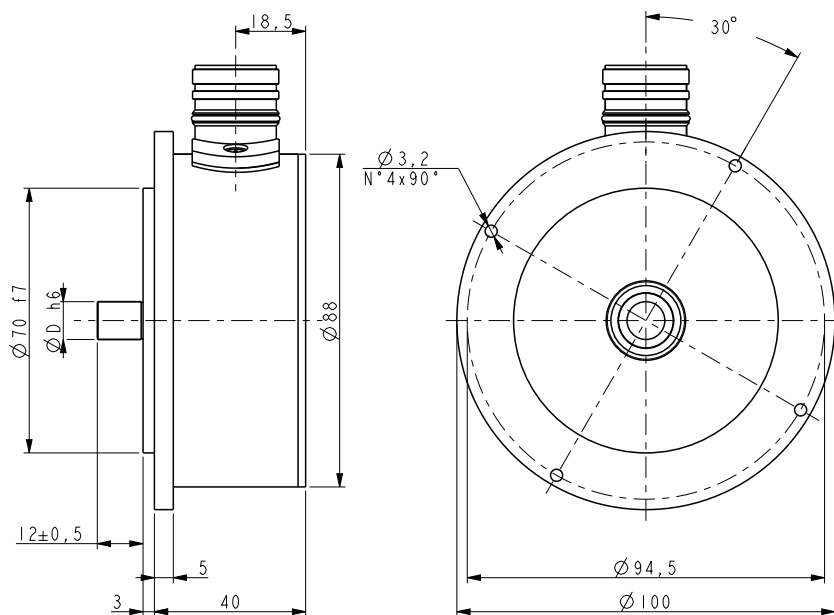
Resolution:	4096 cpr x 4096 turns max.
Accuracy:	± 0,04°
Output circuit:	SSI
Counting frequency:	100 kHz max.
Power supply:	+10V +30V
Power consumption:	1,5 W
Protection:	against inversion of polarity and short circuit
EMC:	electro-magnetic immunity, according to: EN 61000-4-2 EN 61000-4-4
Optoelectronic life:	100.000 h min.
Functions:	• Counting direction (input)
Option:	• Zero setting (input)

MATERIALS

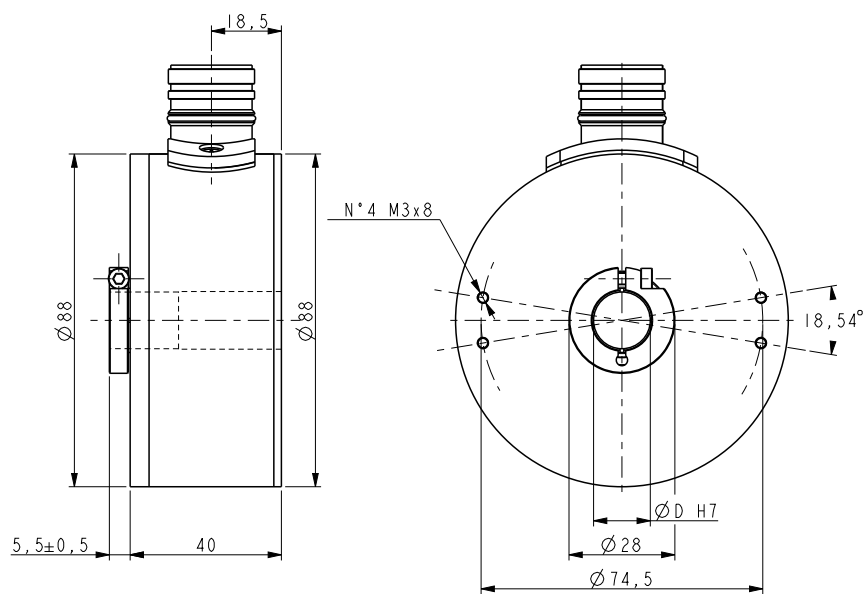
Flange:	anticorodal, UNI EN AW-6082
Housing:	anticorodal, UNI EN AW-6082
Bearings:	ABEC 5
Shaft:	stainless steel, non magnetic, UNI EN 4305
Light source:	GaAl diodes

ACCESSORIES

EPFL121H:	12 pin M23 mating connector
EC-CR12F-S27-A8-xx:	M23 cordset with xx m cable
PAN/PGF:	flexible couplings
BR1:	reducing sleeves



AM9



AMC9

Order code

Additional code (optional)

AM9 AMC9	XX/XXXX (a)	XX (b)	-	XX (c)	-	X (d)	/Sxxx (e)
-------------	----------------	-----------	---	-----------	---	----------	--------------

<p>(a) RESOLUTION 12/4096 = 4096 cpr x 4096 turns</p>	<p>(b) OUTPUT BS = SSI tree format, Binary code GS = SSI tree format, Gray code BA = SSI LSB aligned, Binary code GA = SSI LSB aligned, Gray code</p>	<p>(c) SHAFT DIAMETER 10 = 10 mm (only AM9) 15 = 15 mm (only AMC9)</p>	<p>(d) E = Zero setting (e) CUSTOM VERSION</p>
---	---	--	--