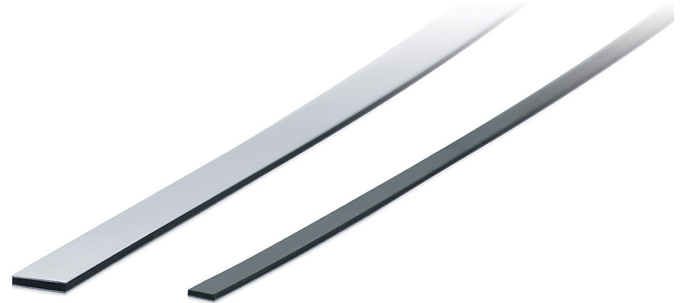




- Flexible magnetic tape with adhesive tape
- Incremental coding
- Cover strip available on request
- Resistant to debris, liquids and oils
- Standard rolls up to 100 m
- Variety of pole pitches: 5, 4, 3.2, 2.5, 2 and 1 mm
- 10 and 5 mm width, others available on request



MTI

#### ENVIRONMENTAL SPECIFICATIONS

Operating temperature range:	-25°C +85°C (-13°F +185°F)
Storage temperature range:	-40°C +100°C (-40°F +212°F)

#### MECHANICAL SPECIFICATIONS

Dimensions:	see drawing
Material:	elastomer and stainless steel
Accuracy class:	see order code
Thermal expansion coefficient:	16 * 10 <sup>-6</sup> /K
Length:	MTI-xxxx-10- max. 100 m, MTI-xxxx-05- max. 30 m
Pole pitch:	5.0 mm, 4.0 mm, 3.2 mm, 2.5 mm, 2.0 mm, 1.0 mm (see order code)

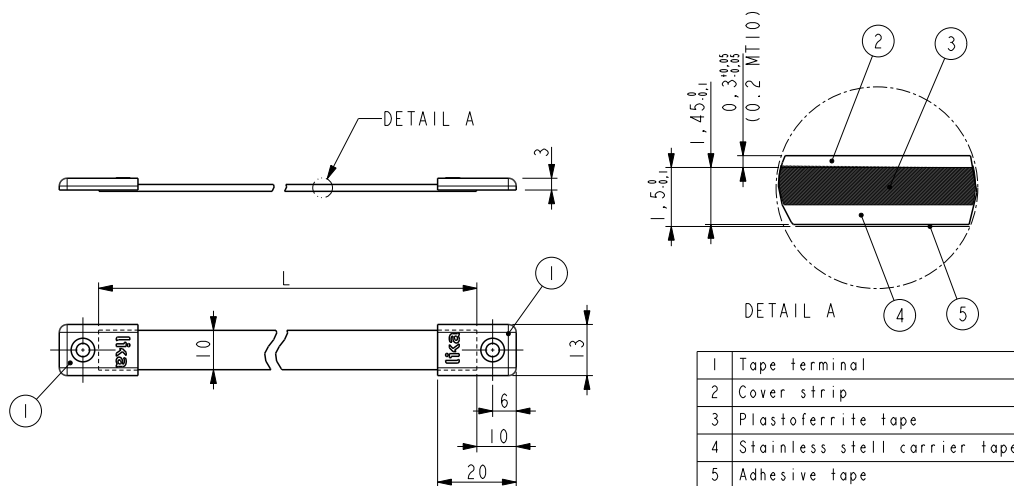
#### CHEMICAL RESISTANCE INFORMATION

Acetone	••	Mineral / Motor oil	•
Acetylene	••	Petrol	••
Antifreeze (Glacial acetic acid)	•	Seawater	••
Benzene	•••	Steam heat	•
Heptane	•••	Thinner	•••
Kerosene	•	Turpentine	••
Ketone	•••		

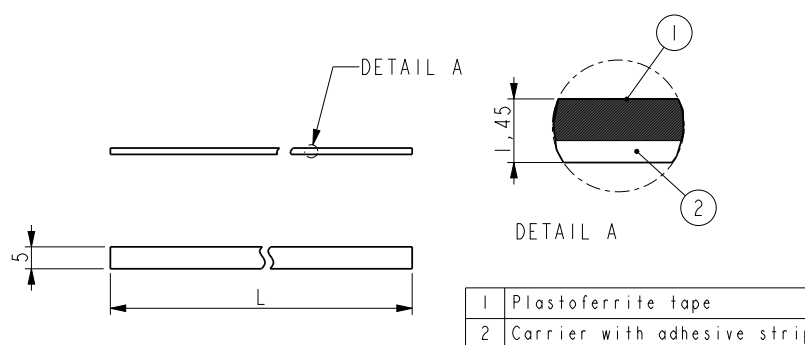
• No effect or low effect      •• Low to Medium effect      ••• Strong effect

#### ACCESSORIES

KIT LKM-1440: Tape terminals for MTI tapes (10 pcs)



MTI-xxxx-10



MTI-xxxx-05

Order code

MTI	-	XXXX	-	XX	-	XXXXXX	-	X	-	X	-	X	-	XXX	/Sxxx
		(a)		(b)		(c)		(d)		(e)		(f)		(g)	(h)

<b>(a) CODING</b> 0100 0200 0250 0320 0400 0500	<b>(b) WIDTH</b> 10 = 10 mm	<b>(c) LENGTH</b> 001000 = 1 m 002000 = 2 m 004000 = 4 m 010000 = 10 m 020000 = 20 m 030000 = 30 m 050000 = 50 m 100000 = 100 m	<b>(d) BIADHESIVE</b> B = supplied N = not supplied	<b>(e) PRINTING</b> P = standard S = custom	<b>(f) COVER STRIP</b> C = supplied N = not supplied	<b>(g) ACCURACY CLASS</b> 100 = ±85 µm/m 050 = ±35 µm/m (up to 30 m) 010 = ±8 µm/m (up to 10 m)	<b>(h) CUSTOM VERSION</b>
---	--------------------------------	---	---	---	--	--	---------------------------

Order code

MTI	-	XXXX	-	XX	-	XXXXXX	-	X	-	X	-	X	-	XXX	/Sxxx
		(a)		(b)		(c)		(d)		(e)		(f)		(g)	(h)

<b>(a) CODING</b> 0100 0200 0250 0500	<b>(b) WIDTH</b> 05 = 5 mm	<b>(c) LENGTH</b> 001000 = 1 m 002000 = 2 m 004000 = 4 m 010000 = 10 m 020000 = 20 m 030000 = 30 m	<b>(d) BIADHESIVE</b> B = supplied N = not supplied	<b>(e) PRINTING</b> P = standard S = custom	<b>(f) COVER STRIP</b> N = not supplied	<b>(g) ACCURACY CLASS</b> 050 = ±35 µm/m	<b>(h) CUSTOM VERSION</b>
---	-------------------------------	--	---	---	--	---	---------------------------

Document release	Date	Description
1.2	September 2023	New order code
1.1	04.05.2021	MTI-0100-05, MTI-0250-05: introduction