

- Robust and space saving construction
- Integrated potentiometer
- Measuring length up to 2000 mm
- Current or voltage output



SFPS1

ENVIRONMENTAL SPECIFICATIONS

Operating temperature range:	-25°C +85°C (-13°F +185°F)
Protection:	IP64

MECHANICAL SPECIFICATIONS

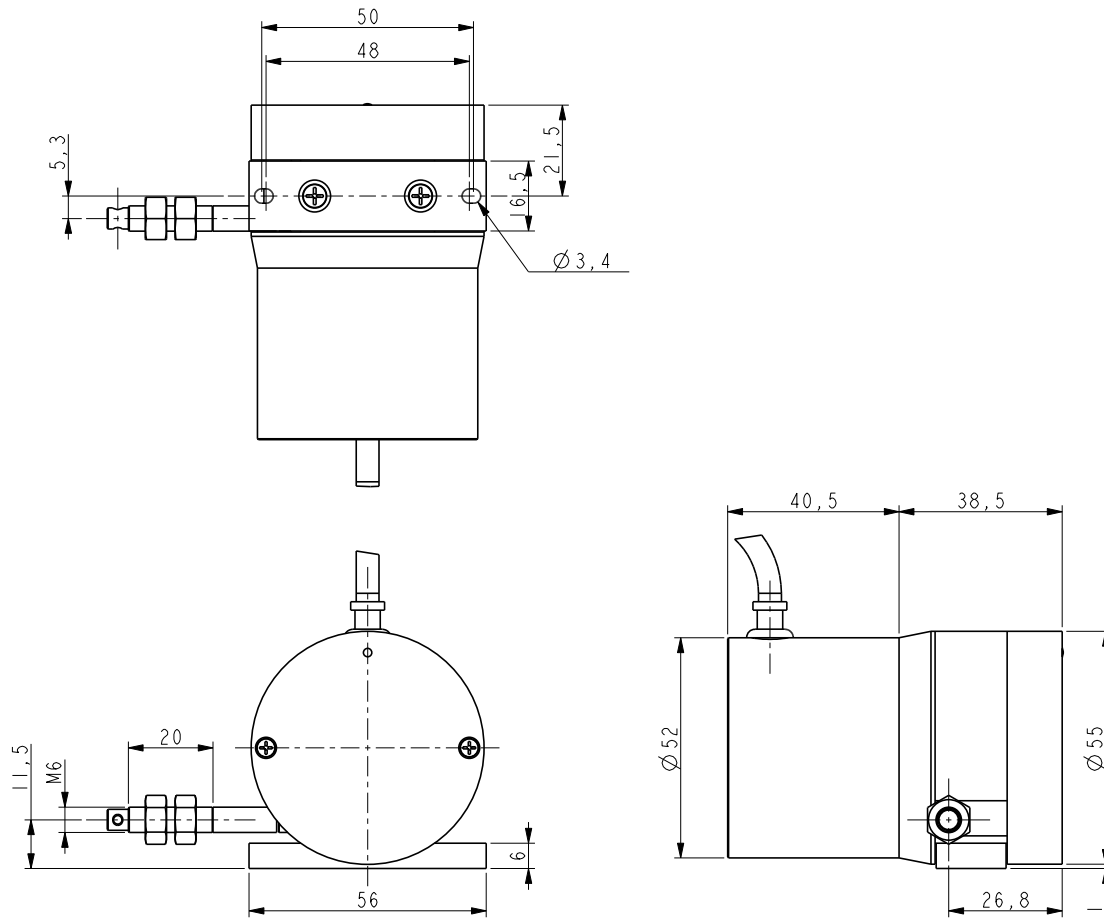
Dimensions:	see drawing
Stroke per turn:	100 mm
Wire retraction force:	3 ÷ 5 N
Measuring length:	300, 500, 1000, 1500, 2000 mm
Measuring speed:	1 m/sec max.
Repeat accuracy:	± 0,15 mm
Weight:	~ 0,2 kg
Connections:	cable 2,0 m

ELECTRICAL SPECIFICATIONS

Current output (AI12):	4-20mA, ±5%, Power supply +10 +30Vdc
Voltage output (AV22):	0-10V, ±5%, Power supply +15 +30Vdc
Resistance output (1, 5, 10, 20):	1, 5, 10, 20Ω ±5%, 2W Linearity ±0,25%
Consumption:	2 mA max. (with AI1, AV2 output)

MATERIALS

Housing:	Aluminium
Wire:	Stainless steel



SFPS1

Order code

SFPS1	-	XXXXX	-	XXXX	-	XXXX
		(a)		(b)		(c)

(a) MEASURING LENGTH

00300 = 300 mm
 00500 = 500 mm
 01000 = 1000 mm
 01500 = 1500 mm
 02000 = 2000 mm

(b) OUTPUT CIRCUIT / POWER SUPPLY

AI12 = current output 4 -20mA, +10 +30Vdc
 AV22 = voltage output 0-10V, +15 +30Vdc
 001 = resistance output 1 kΩ
 005 = resistance output 5 kΩ
 010 = resistance output 10 kΩ
 020 = resistance output 20 kΩ

(c) CONNECTION TYPE & CABLE LENGTH

L020 = cable output 2 m
 L040 = cable output 4 m
 Lxx0 = cable output x m (max. length 10 m)

Document release	Date	Description
1.0	September 2023	New order code