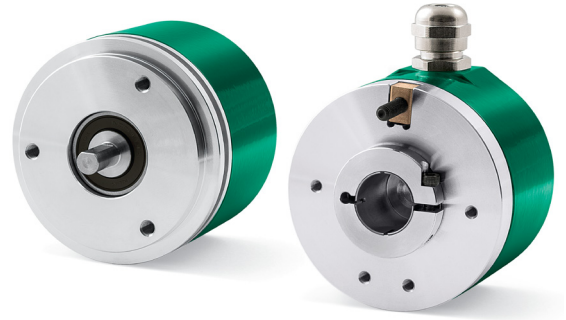


Series

IX58 • IX58S • CX58 • CX59

- Solid and hollow shaft mounting
- Pulse rates up to 10000 PPR
- Universal output circuit
- ATEX cat. 3 certification for zones 2, 22



IX58 • CX58

ENVIRONMENTAL SPECIFICATIONS

Certification:	Ex II 3GD, Ex nA IIB T5 Gc, Ex tc IIIC T100° Dc, IP65
Shock:	250 g, 6 ms acc. to CEI EN 60068-2-27
Vibrations:	10 g, 5-2000 Hz acc. to CEI EN 60068-2-6
Protection:	IP65
Operating temperature range:	-25°C +85°C (-13°F +185°F)
Storage temperature range:	-25°C +85°C (-13°F +185°F) (98% R.H. without condensation)

MECHANICAL SPECIFICATIONS

Dimensions:	see drawing
Shaft diameter:	Ø 6, 8, 9.52, 10, 12 mm
Hollow shaft diameter:	Ø 14, 15
Reducing sleeves BR1-xx from Ø 15 mm to:	Ø 6, 8, 9.52, 10, 11, 12 mm
Shaft loading (axial, radial):	100 N max.
Shaft rotational speed:	typ. 6000 rpm / 12000 temporary
Starting torque at 20°C:	IX58: 0,15 Ncm / IX58S, CX58, CX59: 0,4 Ncm (typical)
Bearings life:	400 x 10 ⁶ rev. min. (10 ⁹ rev. min. with 20 N shaft loading max.)
Electrical connections:	cable output 1 m (3.3 ft)
Weight:	~ 200 g (7 oz)
Options:	• additional cable

ELECTRICAL SPECIFICATIONS

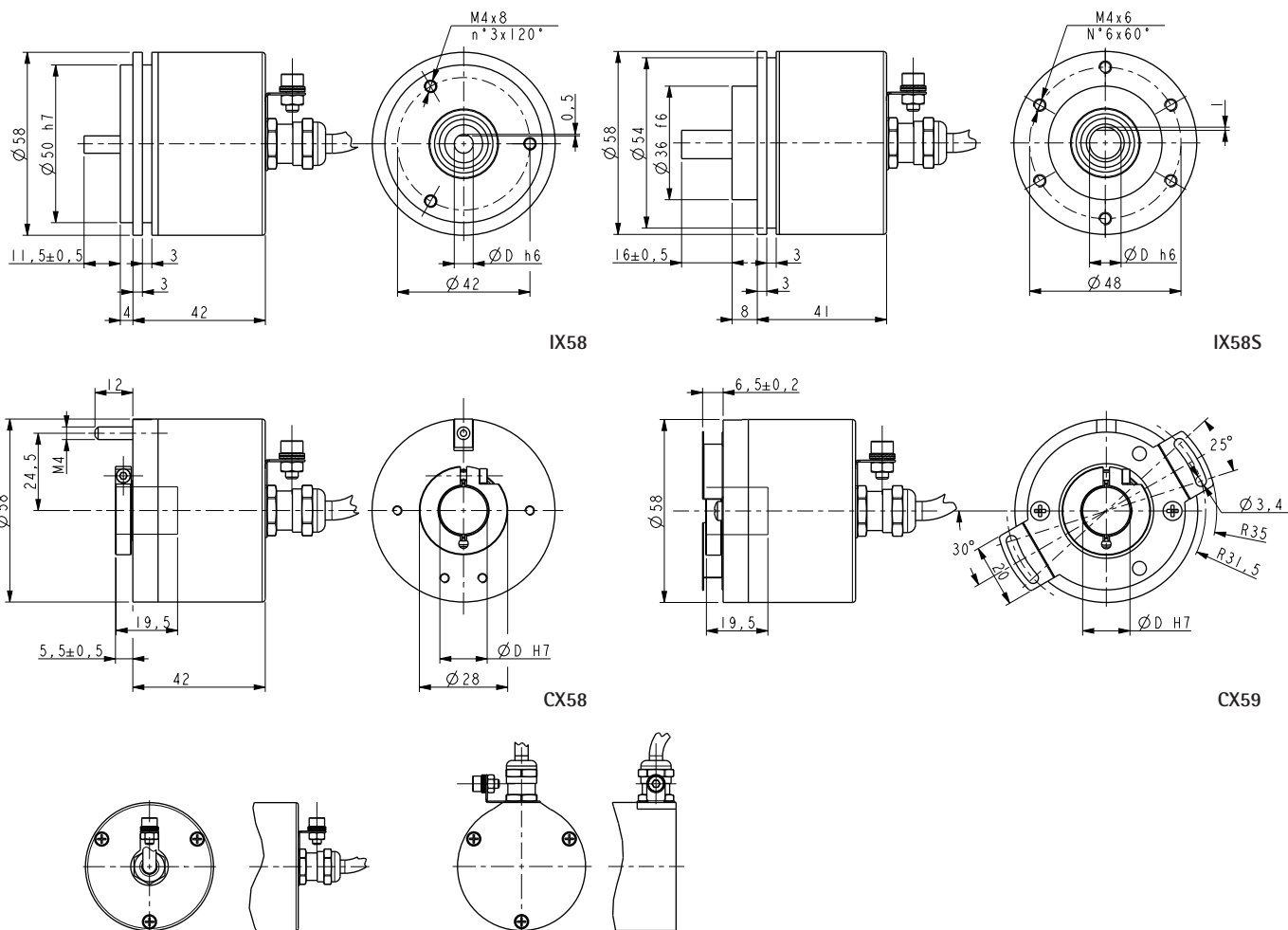
Standard resolution with magnetic sensing (PPR): (output circuits N, P, Y, L, H)	2-4-5-6-8-10-12-15-16-20-24-25-30-35-36-40-50-60-64-70 80-90-120-125-127-142-150-160-180-216-230-236-240-254 267-270-314-360-375-410-435-471-635-800-1068-1270 1400-2250 (other on request)
Standard resolution with unbreakable disk (PPR): (output circuits N, P, Y, L, H)	100-200-250-256-300-400-500-512-600-720-750-900-1000 1024-1200-1250-1440-1500-1800-2000-2048-2500-3000 3600-4000-4096-5000
High accuracy glass disk (PPR): (output circuits N, P, Y, L, H)	5K=5000, 6K=6000, 9K=9000, 10K=10000 4KB=4096, 8KB=8192
Resolution (PPR): (only output circuit V)	500-512-1000-1024-1250-2000-2048
Counting frequency:	100 kHz max.
Output circuits:	NPN, PNP, Push-Pull, Line Driver, Universal circuit, Sine/cosine
Power supply:	+5V±5%, +10V +30V, +5V +30V (sine/cosine only +5V±5%)
Consumption:	70 mA (typical)
Output current (each channel):	40 mA max.
Protection:	against inversion of polarity and short-circuit (except L and V circuit)
EMC:	electro-magnetic immunity, according to: EN 61000-4-2 EN 61000-4-4
Option:	• Line Driver 24/5V

MATERIALS

Flange:	anticorrosive, UNI EN AW-6082
Housing:	anticorrosive, UNI EN AW-6082
Bearings:	ABEC 5
Shaft:	stainless steel, non-magnetic - UNI EN 4305

ACCESSORIES

BR1-xx:	reducing sleeves
PAN/PGF:	flexible couplings
LKM-386:	fixing clamps



Order code

IX58	-	XX	-	XXXXX	-	XXX	-	XX	-	X	X	-	X	XXXX	/Sxxx
IX58S		(a)		(b)		(c)		(d)		(e)	(f)		(g)	(h)	(i)
CX58															
CX59															

<p>(a) OUTPUT CIRCUITS / POWER SUPPLY N2 = NPN o.c., +10V ÷ +30V P2 = PNP o.c., +10V ÷ +30V Y2 = Push Pull, +10V ÷ +30V L1 = Line Driver (RS422), +5V ± 5% H4 = PP/LD universal circuit, +5V ÷ +30V V1 = 1 Vpp sine/cosine, +5V ± 5% L2 = Line Driver (RS422), +10V ÷ +30V</p> <p>(b) RESOLUTION (PPR) See electrical specifications</p>	<p>(c) OUTPUT SIGNALS / CONNECTIONS ZNF = ABO, cable output (except V1 output) ZCU = ABO / ABO, cable output</p> <p>(d) SHAFT DIAMETER 06 = 6 mm 08 = 8 mm P9 = 9.52 mm - 3/8" 10 = 10 mm 12 = 12 mm 14 = 14 mm (only CX58, CX59) 15 = 15 mm (only CX58, CX59)</p>	<p>(e) PROTECTION P = IP65</p> <p>(f) OPERATING TEMPERATURE T = -25°C +85°C (-13°F +185°F)</p> <p>(g) CONNECTION POSITION A = axial R = radial</p>	<p>(h) CABLE LENGTH L010 = cable output 1 m (standard) L020 = cable output 2 m Lxx0 = cable output x m (max. length 10 m)</p>
--	---	---	--

(i) CUSTOM VERSION

Document release	Date	Description
1.2	16.10.2024	Resolution update (V circuit)
1.1	September 2023	Order code update
1.0	04.05.2022	Resolution update