



- Double encoder with single housing design
- Heavy-duty construction for harsh environments
- Rotatable connections with screw terminals
- High shaft load
- Corrosion and salt mist resistant housing
- Two different resolutions or output circuits on request



I116

ENVIRONMENTAL SPECIFICATIONS

Shock:	250 g, 6 ms acc. to CEI EN 60068-2-27
Vibrations:	10 g, 5-2000 Hz acc. to CEI EN 60068-2-6
Protection:	IP66
Operating temperature range:	-40°C +100°C (-40°F +212°F)
Storage temperature range:	-40°C +100°C (-40°F +212°F) (98% R.H. without condensation)

MECHANICAL SPECIFICATIONS

Dimensions:	see drawing
Shaft diameter:	Ø 11 mm
Shaft loading:	axial: 250 N radial: 350 N
Shaft rotational speed:	6000 rpm max.
Starting torque at 20°C:	≤ 1 Ncm (typical)
Bearings life:	400 x 10 ⁹ rev. min. (10 ⁹ rev. min. with 20 N shaft loading max.)
Weight:	1,6 kg (56,4 oz)

ELECTRICAL SPECIFICATIONS

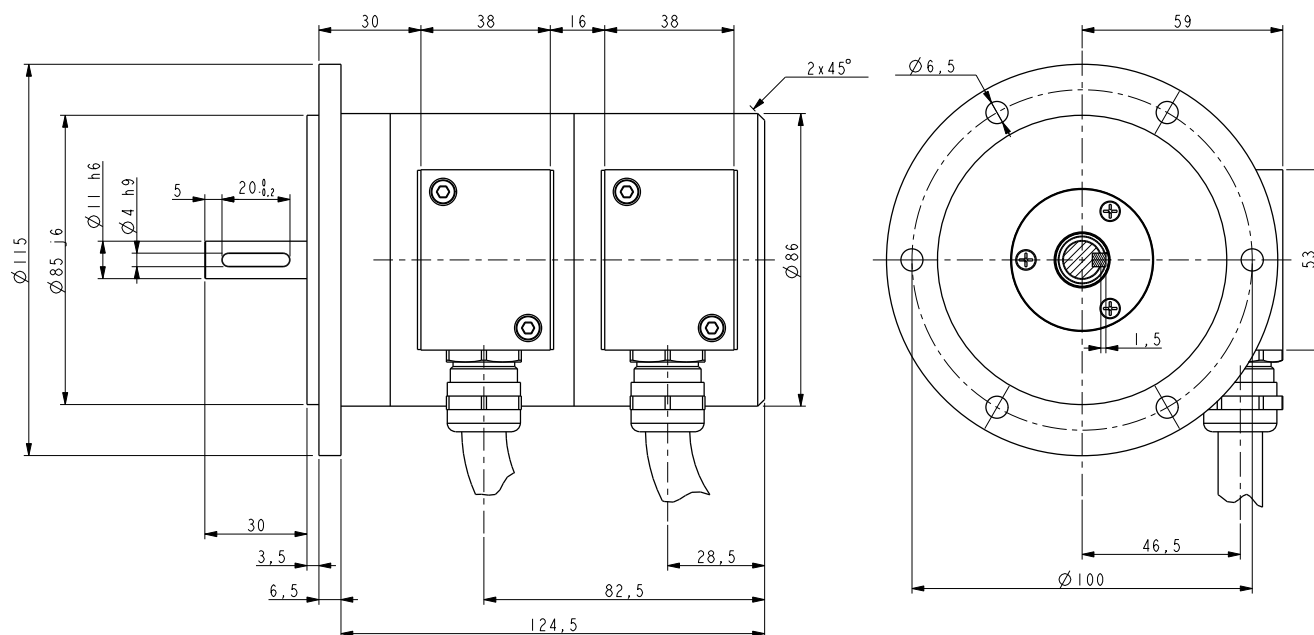
Resolution (PPR):	100-200-250-256-360-500-512-1000-1024-1250 1800-2000-2500
Counting frequency:	100 kHz max.
Output circuits:	NPN, Push-Pull, Line Driver, Universal circuit
Power supply:	+5V ±5%, +10V +30V, +5V +30V
Consumption:	70 mA (typical)
Output current (each channel):	40 mA max.
Protection:	against inversion of polarity and short-circuit (except L circuit)
EMC:	electro-magnetic immunity, according to EN 61000-4-2 EN 61000-4-4
Optoelectronic life:	100.000 hrs min.
Connections:	via terminal box, cable Ø 4 ÷ 10 mm

MATERIALS

Flange:	anticorrosive, UNI EN AW-6082, anodized
Housing:	anticorrosive, UNI EN AW-6082, anodized
Bearings:	ABEC 5
Shaft:	stainless steel, non-magnetic, UNI EN 4305
Light source:	GaAl diodes

ACCESSORIES

MOL-32C-11K-11K:	flex. coupling with electric ins.
MSTS-32K-11-11:	stainless steel coupling
MDW-25C-11K-11K:	disk coupling



I116

Order code

I116	-	XX	-	XXXXX	-	XXX	-	XX	-	X	X	-	X	/Sxxx
		Ⓐ		Ⓑ		Ⓒ		Ⓓ		Ⓕ	Ⓖ		Ⓖ	Ⓗ

<p>Ⓐ OUTPUT CIRCUITS / POWER SUPPLY N2 = NPN o.c., +10V ÷ +30V Y2 = Push-Pull, +10V ÷ +30V L1 = Line Driver (RS422), +5V ± 5% H4 = PP/LD universal circuit, +5V ÷ +30V</p>	<p>Ⓒ OUTPUT SIGNAL / CONNECTION ZCT = ABO / ABO, terminal blocks</p> <p>Ⓓ SHAFT DIAMETER 11 = 11 mm</p> <p>Ⓔ PROTECTION Q = IP66</p>	<p>Ⓕ OPERATING TEMPERATURE K = -40°C +100°C (-40°F +212°F)</p> <p>Ⓖ CONNECTION POSITION R = radial</p> <p>Ⓗ CUSTOM VERSION</p>
<p>Ⓑ RESOLUTION (PPR) See electrical specifications</p>		

Document release	Date	Description
1.0	April 2025	New order code