

- Absolute multi-turn magnetic encoder
- Very compact and robust housing
- Outer diameter 36mm
- Resolution up to 8192 counts/rev and up to 65536 rev, SSI interface
- Zero setting and counting direction function
- Axial cable output
- MM36: solid shaft version
- MMC36: blind hollow shaft version, Ø 6mm



MMC36 • MM36

ENVIRONMENTAL SPECIFICATIONS

Shock:	250 g, 6 ms acc. to CEI EN 60068-2-27
Vibrations:	10 g, 5-2000 Hz acc. to CEI EN 60068-2-6
Protection:	IP65
Operating temperature range:	-25°C +85°C (-13°F +185°F)
Storage temperature range:	-25°C +85°C (-13°F +185°F) (98% R.H. without condensation)
Option:	• protection IP67

MECHANICAL SPECIFICATIONS

Dimensions:	see drawing
Shaft diameter:	Ø 6 mm
Shaft loading (axial, radial):	20 N max.
Shaft rotational speed:	12000 rpm max.
Starting torque (at 20°C):	0,1 Ncm
Electrical connections:	M12 8 pin inline plug or cable output 1 m (3.3 ft)
Weight:	~ 100 g (3,5 oz)
Option:	• additional cable

ELECTRICAL SPECIFICATIONS

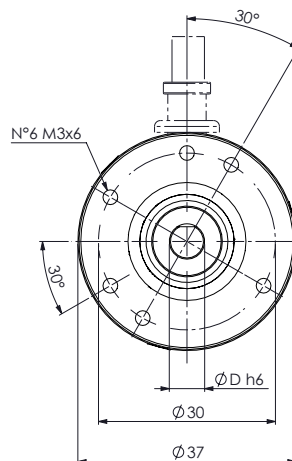
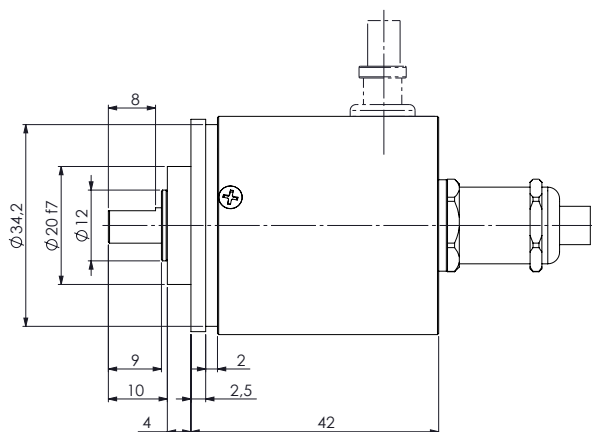
Resolution:	1024 counts/rev. x 32768 rev. 2048 cpr x 16384 rev. 4096 cpr x 8192 rev. 8192 cpr x 65536 rev.
Accuracy:	± 1°
Output circuit:	SSI (clock 3 MHz max., Tp=12 µsec.)
Output codes:	Gray, Binary
Counting frequency:	10 kHz max.
Start-up time:	~ 200 msec.
Power supply:	+10Vdc +30Vdc
Power consumption:	25 mA max.
Protection:	protected against inversion of polarity
EMC:	electro-magnetic immunity, according to: EN 61000-4-2 EN 61000-4-4
Battery life:	10 years min.
Functions:	• Counting direction (input) • Electronic zero setting (input)

MATERIALS

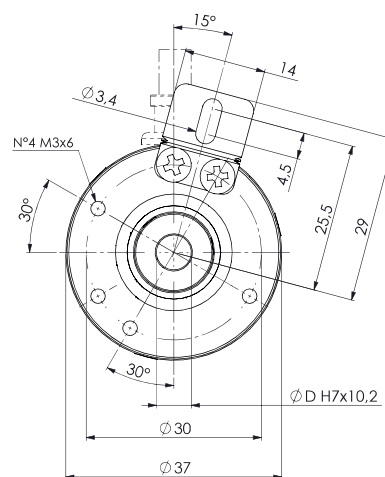
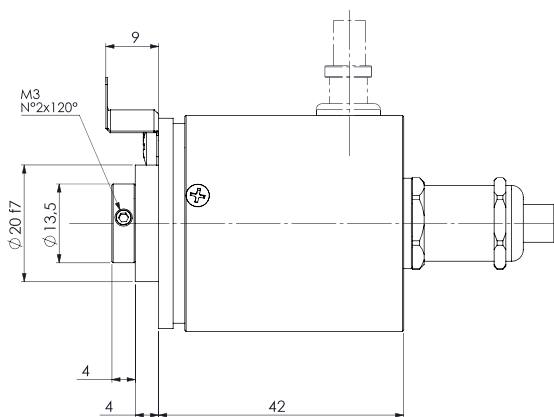
Flange:	anticorrosive, UNI EN AW-6082
Housing:	anticorrosive, UNI EN AW-6082
Bearings:	ABEC 5
Shaft:	stainless steel, non magnetic, UNI EN 4305

ACCESSORIES

PAN/PGF:	Flexible couplings
----------	--------------------



MM36



MMC36

Order code

MM36	-	XX-XX	-	XXX	-	XX	-	X	X	-	X	XXXX	/Sxxx
MMC36		(a)		(b)		(c)		(d)	(e)		(f)	(g)	(h)

(a) RESOLUTION (BIT SINGLETURN-BIT MULTITURN)

10-15 = 10 x 15 bit (1024 cpr x 32768 rev.)
 11-14 = 11 x 14 bit (2048 cpr x 16384 rev.)
 12-13 = 12 x 13 bit (4096 cpr x 8192 rev.)
 13-16 = 13 x 16 bit (8192 cpr x 65536 rev.)

(b) INTERFACE / POWER SUPPLY

BB2 = Binary, SSI (LSB aligned) +10Vdc +30Vdc (only 10-15, 11-14)
 GB2 = Gray, SSI (LSB aligned) +10Vdc +30Vdc (only 10-15, 11-14)
 BG2 = Binary, SSI (MSB aligned) +10Vdc +30Vdc (all resolutions)
 GG2 = Gray, SSI (MSB aligned) +10Vdc +30Vdc (all resolutions)

(c) SHAFT DIAMETER

06 = 6 mm

(d) PROTECTION

P = IP65 (standard)
 J = IP67 (with sealed circuit)

(e) OPERATING TEMPERATURE

T = -25°C +85°C (-13°F +185°F)

(f) CONNECTION POSITION

A = axial
 R = radial

(g) CONNECTION TYPE & CABLE LENGTH

L010 = cable output 1 m (standard)
 Lxx0 = cable output x m (max. length 10 m)
 L100 = cable output 10 m
 M005 = 0,5 m cable + M12 8 pin inline plug
 M020 = 2 m cable + M12 8 pin inline plug

(h) CUSTOM VERSION

Document release	Date	Description
1.3	13.02.2025	Drawing update
1.2	6.12.2024	Drawings update
1.1	30.08.2024	Electrical specifications update