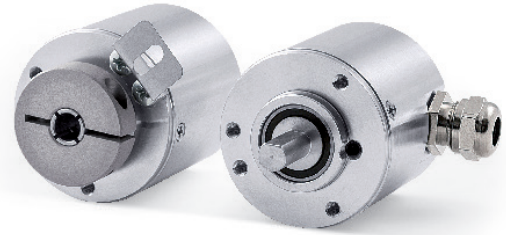


- Miniature optical single turn encoder for industrial applications
- Resolution up to 1048576 cpr (20 bit)
- High degree of protection, IP67
- Cable output or M12 inline plug



ASC36 • AS36

ENVIRONMENTAL SPECIFICATIONS

Shock:	250 g, 6 ms acc. to CEI EN 60068-2-27
Vibrations:	10 g, 5-2000 Hz acc. to CEI EN 60068-2-6
Protection:	IP67, IP65 shaft side
Operating temperature range:	-25°C +85°C (-13°F +185°F)
Storage temperature range:	-40°C +100°C (-40°F +212°F) (98% R.H.without condensation)
Option:	• Operating temperature range: -40°C + 100°C (-40°F +212°F)

MECHANICAL SPECIFICATIONS

Dimensions:	see drawing
Shaft:	∅ 6 mm
Hollow shaft:	∅ 6, 6.35 mm
Shaft loading (axial and radial):	20 N max.
Shaft rotational speed:	6000 rpm
Starting torque (at 20°C):	0,1 Ncm
Bearing life:	10 ⁹ rev. min.
Electrical connections:	M12 8 pin inline plug or cable 1 m (3.3 ft)
Weight:	~ 100 g (3,5 oz)
Option:	• additional cable

ELECTRICAL SPECIFICATIONS

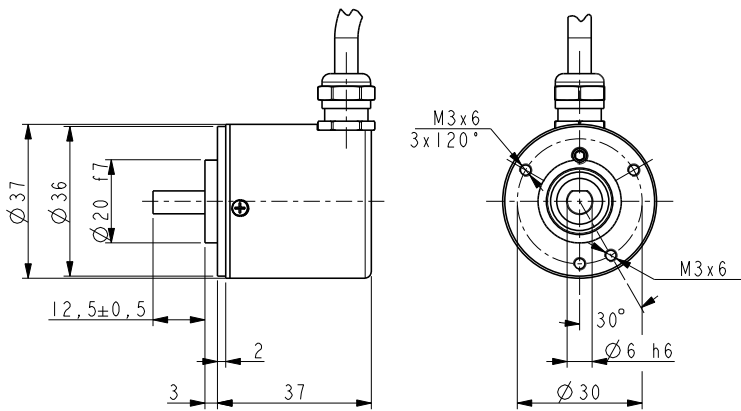
Resolution:	65536, 131072, 524288, 1048576 cpr
Accuracy:	± 0,01° @ 16 bit resolution
Output circuits:	SSI (RS422), clock rate < 4 MHz BiSS-C, clock rate < 10 MHz
Output code:	Gray, Binary
Counting frequency:	> 100 kHz
Power supply:	+5V±5%, +10Vdc +30Vdc
Power consumption:	0,5 W
Protection:	against inversion of polarity and short-circuit
EMC:	electro-magnetic immunity, according to: EN 61000-4-2 EN 61000-4-4
Optoelectronic life:	> 100.000 h min.
Functions:	• Counting direction (input) • Zero setting/Preset (input)

MATERIALS

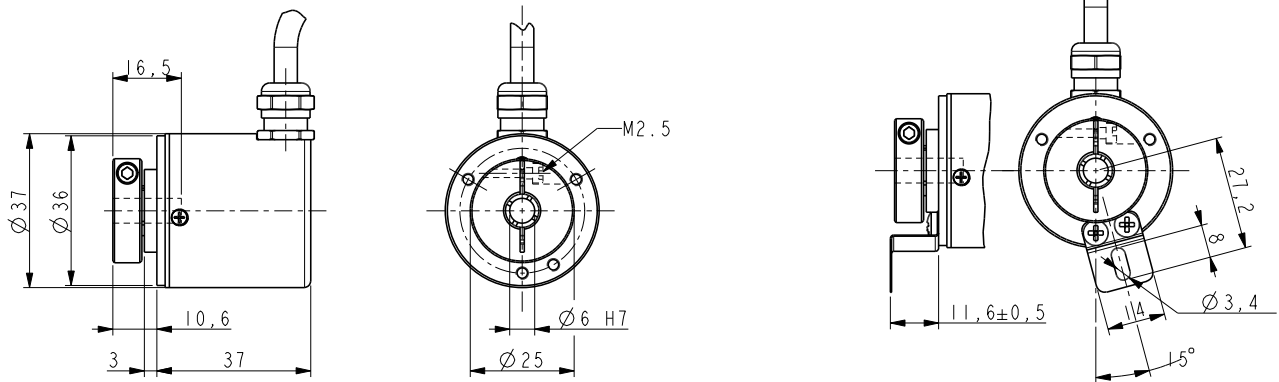
Flange:	anticorrosive, UNI EN AW-6082
Housing:	anticorrosive, UNI EN AW-6082
Bearings:	ABEC 5
Shaft:	stainless steel, non magnetic, UNI EN 4305

ACCESSORIES

PAN:	flexible couplings
EM12F8:	M12 8 pin mating connector



AS36



ASC36

Order code

AS36	-	XX	-	XXX	-	XX	-	X	X	-	X	XXXX	/Sxxx
ASC36		(a)		(b)		(c)		(d)	(e)		(f)	(g)	(h)

<p>(a) RESOLUTION (BIT SINGLETURN-BIT MULTITURN) 16-00 = 16 bit (65536 cpr) 17-00 = 17 bit (131072 cpr) 19-00 = 19 bit (524288 cpr) 20-00 = 20 bit (1048576 cpr)</p> <p>(b) INTERFACE / POWER SUPPLY BG1 = SSI, Binary MSB aligned, +5Vdc ±5% BG2 = SSI, Binary MSB aligned, +10Vdc +30Vdc GG1 = SSI, Gray MSB aligned, +5Vdc ±5% GG2 = SSI, Gray MSB aligned, +10Vdc +30Vdc SC1 = BiSS-C, +5Vdc ±5% SC2 = BiSS-C, +10Vdc +30Vdc</p>	<p>(c) SHAFT DIAMETER O6 = 6 mm P6 = 6.35 mm (only for ASC36)</p> <p>(d) PROTECTION P = IP67, IP65 shaft side</p> <p>(e) OPERATING TEMPERAT. RANGE T = -25°C +85°C (-13°F +185°F) standard K = -40°C +100°C (-40°F +212°F)</p>	<p>(f) CONNECTION POSITION A = axial R = radial</p> <p>(g) CONNECTION TYPE & CABLE LENGTH L010 = cable output 1 m (standard) Lxx0 = cable output x m (max. length 10 m) L100 = cable output 10 m M005 = 0,5 m cable + M12 8 pin inline plug M020 = 2 m cable + M12 8 pin inline plug</p> <p>(h) CUSTOM VERSION</p>
--------------------------------------------------------------------------------------------------------------------------------------------------------------------------------------------------------------------------------------------------------------------------------------------------------------------------------------------------------------------------------------------------------------------------------------------------------------------------------------------------------------------------------------------------------------------------------------------------------------------------------------------------------------------------	--------------------------------------------------------------------------------------------------------------------------------------------------------------------------------------------------------------------------------------------------------------------------------------------------------------------------------------------------------------	------------------------------------------------------------------------------------------------------------------------------------------------------------------------------------------------------------------------------------------------------------------------------------------------------------------------------------------------------------------------------------------------------------------------------------------------------------------------------------------------

Document release	Date	Description
1.0	July 2023	New order code
1.1	03.10.2023	ø P6 for ASC36