

Series

EM58 TA • EM58S TA • EMC58 TA

- Accurate analogue conversion
- Multiple voltage and current outputs
- Teach-in of travel length by push buttons
- Overrun function
- M12 or cable connection



EM58 TA • EM58S TA • EMC58 TA

ENVIRONMENTAL SPECIFICATIONS

Shock:	250 g, 6 ms acc. to CEI EN 60068-2-27
Vibrations:	10 g, 5-2000 Hz acc. to CEI EN 60068-2-6
Protection:	IP67, IP65 shaft side
Operating temperature range:	-25°C +85°C (-13°F +185°F)
Storage temperature range:	-40°C +100°C (-40°F +212°F) (98% R.H. without condensation)

MECHANICAL SPECIFICATIONS

Dimensions:	see drawing
Shaft diameter:	Ø 6, 8, 9.52, 10, 12 mm
Hollow shaft diameter:	Ø 14, 15 mm
Reducing sleeves BR1-xx from Ø 15 mm to:	Ø 6, 8, 9.52, 10, 11, 12 mm
Shaft loading (axial, radial):	100 N max.
Shaft rotational speed:	12000 rpm, 9000 rpm continuous operation
Bearings life:	400 x10 ⁶ rev. min. (10 ⁹ rev. min. with 20 N shaft loading max.)
Electrical connections:	M12 plug or cable output 2 m (6.56 ft)
Weight:	~ 250 g (8,8 oz)
Option:	• additional cable

ELECTRICAL SPECIFICATIONS

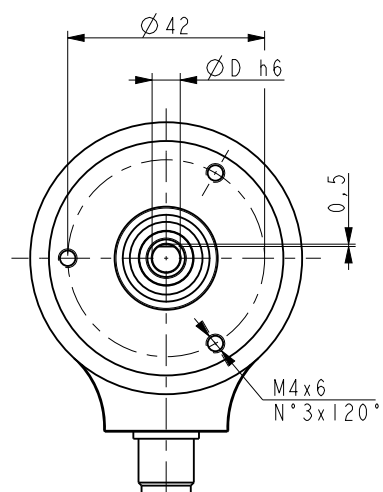
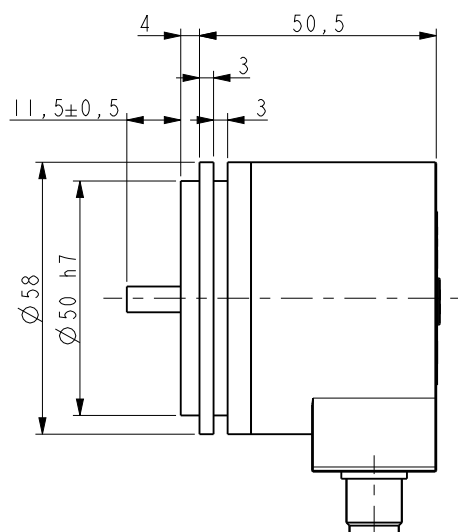
Resolution:	4096 cpr x 16384 turns max. (programmable with Teach-in)
Accuracy:	typically ± 0,05° (D/A conversion 16 bit)
Output:	0-5V, 0-10V, +/-5V, +/-10V, 4-20mA, 0-20mA, 0-24mA
Counting frequency:	> 150 kHz
Power supply:	+13Vdc ÷ 30Vdc
Power consumption:	1.3 W max.
Start-up time:	~ 40 ms
Protection:	against inversion of polarity and short-circuit
EMC:	electro-magnetic immunity, according to: EN 61000-4-2 EN 61000-4-4
Optoelectronic life:	> 100.000 h
Functions:	• Teach-in of travel length • Overrun

MATERIALS

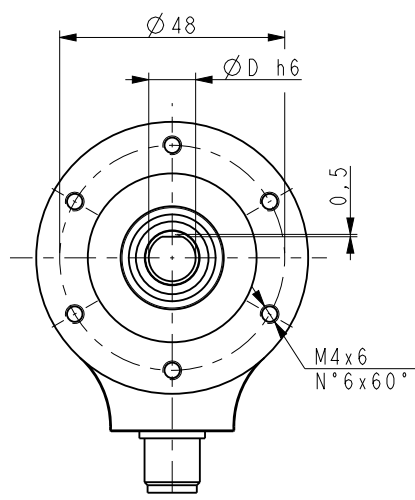
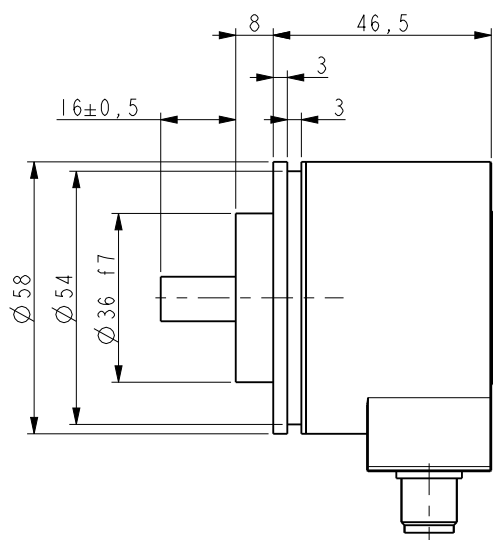
Flange:	anticorrosive, UNI EN AW-6082
Housing:	anticorrosive, UNI EN AW-6082
Bearings:	ABEC 5
Shaft:	stainless steel, non magnetic, UNI EN 4305

ACCESSORIES

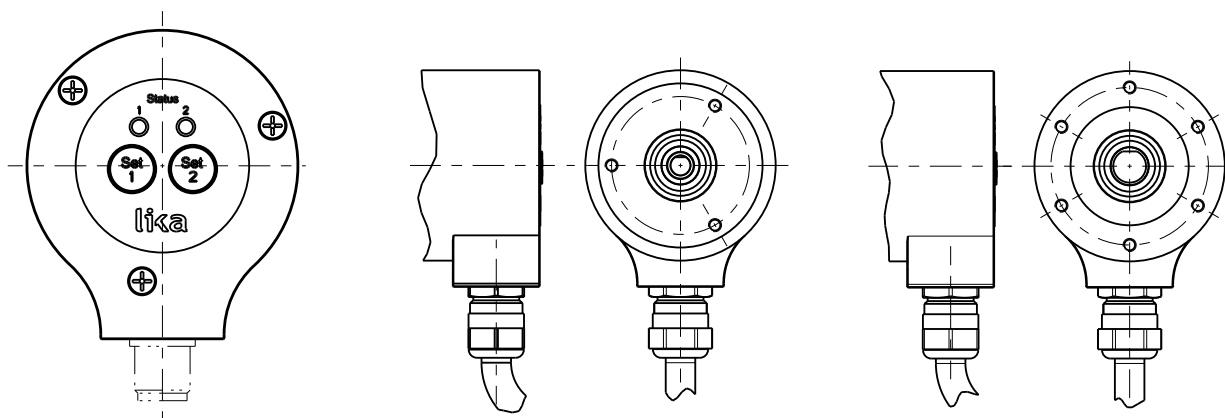
E-M12FC:	M12 5 pin connector
EC-M12FC-LK-I5-5:	M12 5 pin connection cable, length 5 m
EC-M12FC-LK-I5-10:	M12 5 pin connection cable, length 10 m
PAN/PGF:	flexible couplings
BR1:	reducing sleeves
LKM-386:	fixing clamps

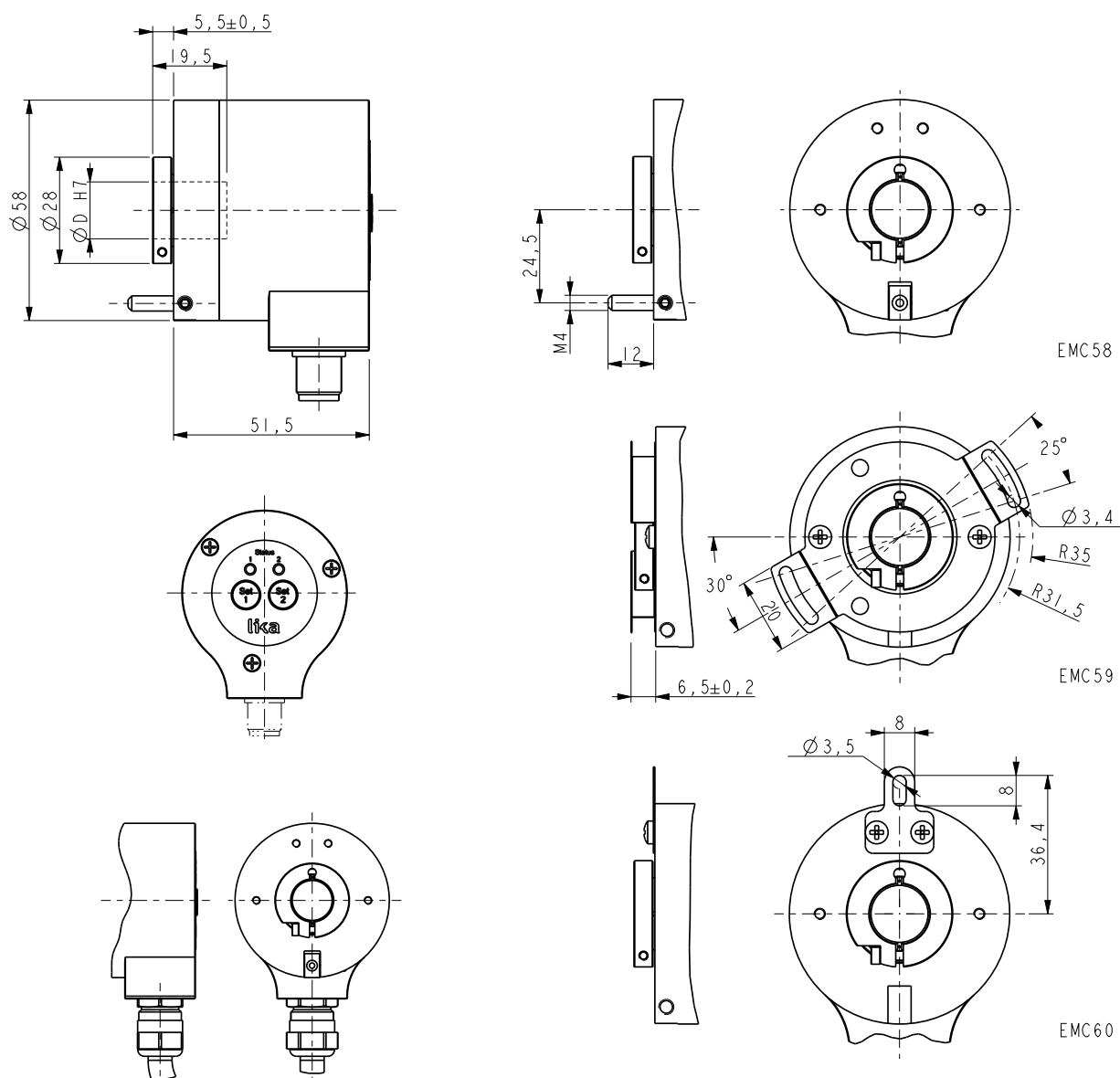


EM58 TA



EM58S TA





Order code

EM58	EMC58	XX-XX	-	XXXX	-	XX	-	X	X	-	X	X	/Sxxx
EM58S	EMC59	(a)		(b)		(c)		(d)	(e)		(f)	(g)	(h)
	EMC60												

<p>(a) RESOLUTION (BIT SINGLETURN - BIT MULTITURN) 12-14 = 12x14 bit (4096 cpr x 16384 turns)</p>	<p>(c) SHAFT DIAMETER 06 = 6 mm 08 = 8 mm P9 = 9.52mm / 3/8" 10 = 10 mm 12 = 12 mm 14 = 14 mm (only EMCxx) 15 = 15 mm (only EMCxx)</p>	<p>(d) PROTECTION P = IP67, IP65 shaft side</p>	<p>(g) CONNECTION TYPE & CABLE LENGTH L020 = cable output 2 m (standard) Lxx0 = cable out. x m (max. length 10m) L100 = cable output 10 m M5 = M12 5 pin plug</p>
<p>(b) INTERFACE / POWER SUPPLY TI12 = 4-20 mA, +13Vdc +30Vdc TI22 = 0-20 mA, +13Vdc +30Vdc TI32 = 0-24 mA, +13Vdc +30Vdc TV12 = 0-5V, +13Vdc +30Vdc TV22 = 0-10V, +13Vdc +30Vdc TV32 = +/- 5V, +13Vdc +30Vdc TV42 = +/- 10V, +13Vdc +30Vdc</p>	<p>(e) OPER. TEMP. RANGE T = -25°C +85°C (-13°F +185°F)</p>	<p>(f) CONNECTION POSITION R = radial</p>	<p>(h) CUSTOM VERSION</p>

Document release	Date	Description
1.0	September 2023	New order code