

- Absolute encoder with integrated cam switch programmer
- Single- and multiturn version
- Up to 16 digital real-time outputs
- Allows to store up to 16 programs/recipes
- SSI position output, Profibus on request
- Optional programmable analogue output



ASR58 • AMR58



ENVIRONMENTAL SPECIFICATIONS

Shock:	250 g, 6 ms acc. to CEI EN 60068-2-27
Vibrations:	10 g, 5-2000 Hz acc. to CEI EN 60068-2-6
Protection:	IP65
Operating temperature range:	-25°C +85°C (-13°F +185°F)
Storage temperature range:	-25°C +85°C (-13°F +185°F) (98% R.H.without condensation)

MECHANICAL SPECIFICATIONS

Dimensions:	see drawing
Shaft diameter:	Ø 6, 8, 9.52, 10, 12 mm
Hollow shaft diameter:	Ø 14, 15 mm
Reducing sleeves BR1-xx from Ø 15 mm to:	Ø 6, 8, 9.52, 10, 11, 12 mm
Shaft loading (axial, radial):	100 N max.
Shaft rotational speed:	6000 rpm max.
Bearings life:	400 x 10 ⁶ rev. min. (10 ⁹ rev. min. with 20 N shaft loading max.)
Electrical connections:	ASR58: DSub 15 + 25 pin plug or cable 1 m (3.3 ft) AMR58: MIL 32 pin plug or cable 1 m (3.3 ft)
Weight:	~ 250 g (8,8 oz)
Option:	• additional cable

ELECTRICAL SPECIFICATIONS

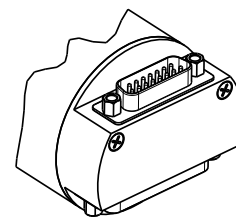
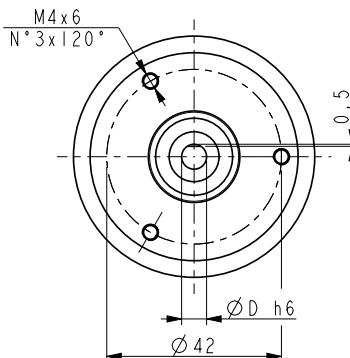
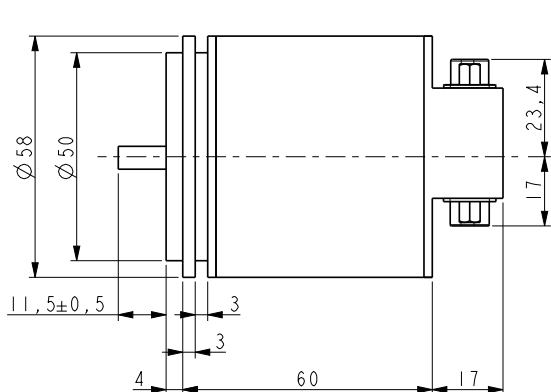
Resolution:	ASR58: 3600 cpr / 0.1° AMR58: 4096 cpr x 256 turns / 0,09°
Nr. of cams per program:	120
Nr. of selectable programs/recipes:	16
Outputs:	ASR: 16 x Push-Pull outputs (100 mA), analogue (see option) AMR: 8 x Push-Pull outputs (80 mA), SSI MSB aligned
Diagnostics:	Error signal indicating output status
Cam switching time:	ASR ~1 µs, AMR ~10 µs
Power supply:	+10V +30V
Power consumption:	ASR: 2 W, AMR: 2,5 W
Protection:	against inversion of polarity and short-circuit
EMC:	electro-magnetic immunity, according to: EN 61000-4-2 EN 61000-4-4
Optoelectronic life:	100.000 h min.
Option:	ASR58: analogue output (freely programmable on OUT1)

MATERIALS

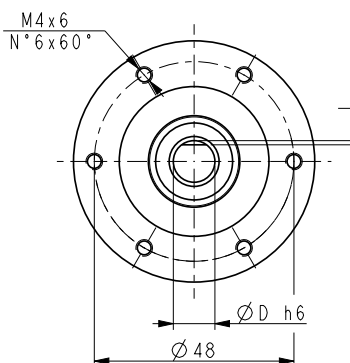
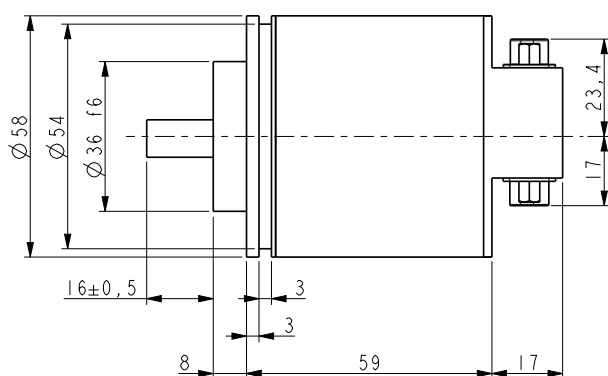
Flange:	anticorrosive, EN AW-6082
Housing:	anticorrosive, EN AW-6082
Bearings:	ABEC 5
Shaft:	stainless steel, non-magnetic - UNI EN 4305
Light source:	GaAl diodes

ACCESSORIES

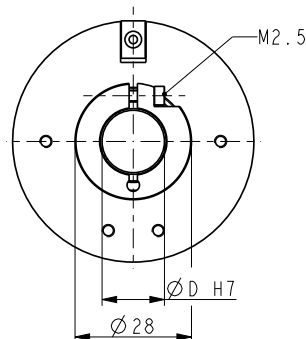
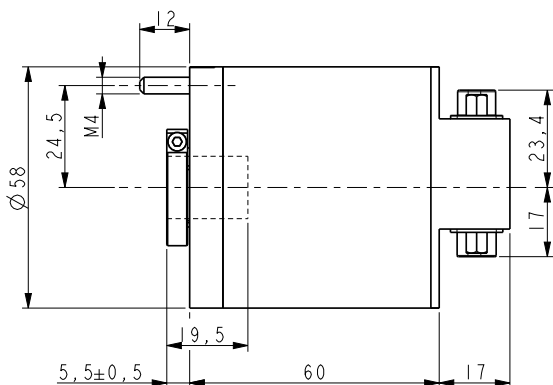
EDB 25S:	25 pin DSub mating connector
EDA 15S:	15 pin DSub mating connector
E32MLS:	32 pin MIL mating connector
KIT xx59:	fixing plate for ASRC, AMRC
KIT xx60:	fixing plate for ASRC, AMRC
IF92:	USB / RS-232 programming kit for ASR and AMR series
EC-AMR-M32F:	AMR prog. cable with MIL32 conn.
EC-ASR-D15F:	ASR prog. cable with DSub15 conn.
PAN/PGF:	flexible couplings
LKM-386:	fixing clamps



ASR58



ASR58S



ASRC

Order code - Singleturn

ASR58	XX-XX	-	XX	-	X	X	X	-	XXXXX	/Sxxx
ASR58S	Ⓐ		Ⓑ		Ⓒ	Ⓓ	Ⓔ		Ⓕ	Ⓖ
ASRC										Ⓗ

Ⓐ RESOLUTION
(BIT SINGLETURN - BIT MULTITURN)

81-00 = 3600 cpr

Ⓑ SHAFT DIAMETER

- 06 = 6 mm
- 08 = 8 mm
- P9 = 9.52 mm, 3/8"
- 10 = 10 mm
- 12 = 12 mm
- 14 = 14 mm (only ASRC)
- 15 = 15 mm (only ASRC)

Ⓒ PROTECTION

P = IP65

Ⓓ OPERATING TEMPERATURE RANGE

T = -25°C +85°C (-13°F +185°F)

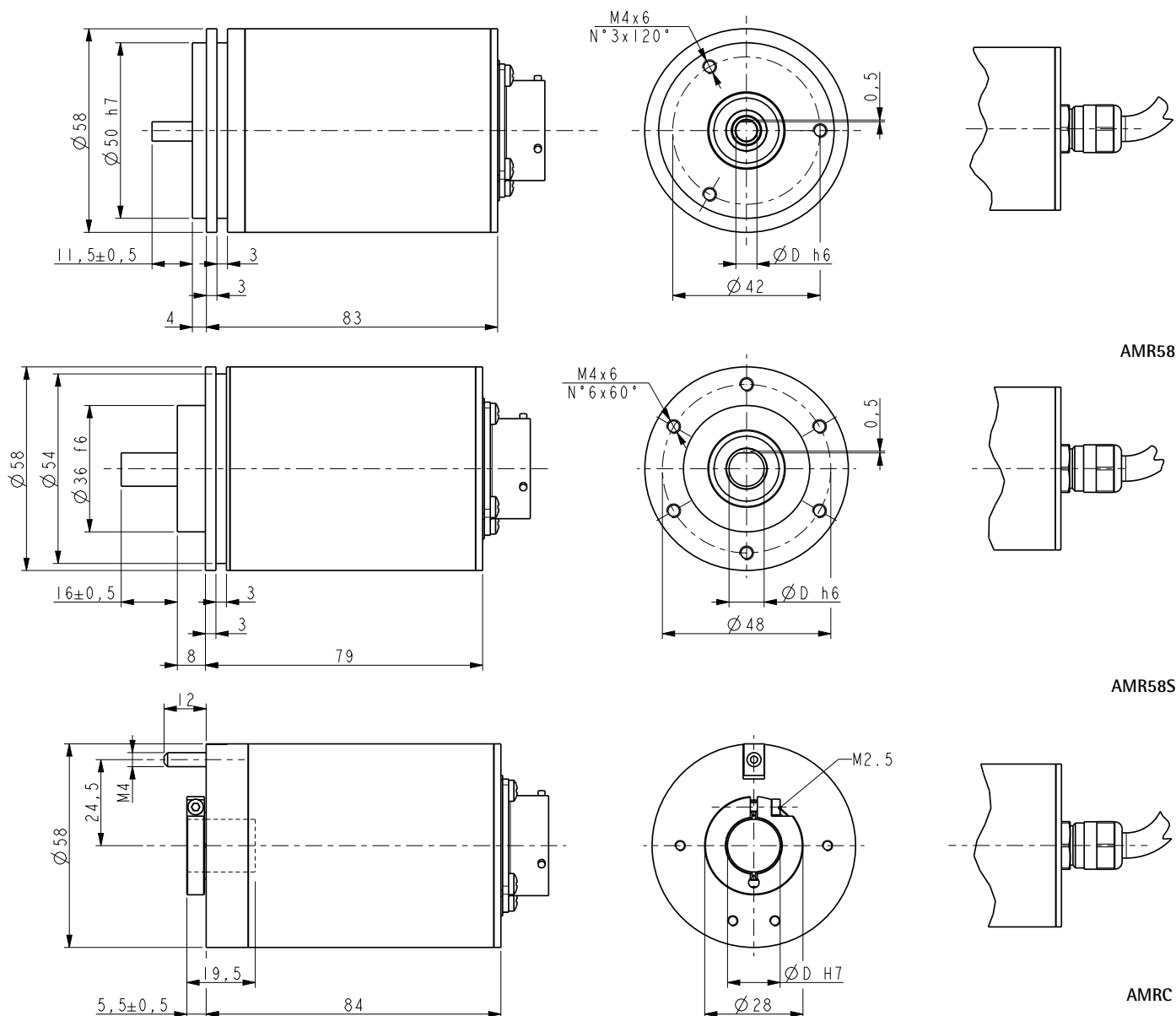
Ⓔ ANALOGUE OUTPUT

- = no analogue output (standard)
- A12 = analogue output 0-10V, +10V +30V
- A22 = analogue output 0-5V, +10V +30V
- A32 = analogue output -5V +5V, +10V +30V

Ⓕ CONNECTIONS

- AL010 = cable output 1 m (standard)
- ALxx0 = cable out. x m (max. length 10m)
- AL100 = cable output 10 m
- R = DSub plugs

Ⓖ CUSTOM VERSION



AMR58

AMR58S

AMRC

Order code - Multiturn

AMR58	XX-XX	-	XXX	-	XX	-	X	X	-	X	X	/Sxxx
AMR58S	Ⓐ		Ⓑ		Ⓒ		Ⓓ	Ⓔ		Ⓕ	Ⓖ	Ⓗ
AMRC												

<p>Ⓐ RESOLUTION (BIT SINGLETURN-BIT MULTITURN) 12-08 = 12 x 8 bit (4096 cpr x 256 turns)</p> <p>Ⓑ OUTPUT CIRCUIT / POWER SUPPLY CS2 = Cam switch + SSI, +10V +30V</p>	<p>Ⓒ SHAFT DIAMETER 06 = 6 mm 08 = 8 mm P9 = 9.52 mm, 3/8" 10 = 10 mm 12 = 12 mm 14 = 14 mm (only AMRC) 15 = 15 mm (only AMRC)</p>	<p>Ⓓ PROTECTION P = IP65</p> <p>Ⓔ OPERATING TEMP. RANGE T = -25°C +85°C (-13°F +185°F)</p> <p>Ⓕ CONNECTION POSITION A = axial</p>	<p>Ⓖ CONNECTION TYPE & CABLE LENGTH V = MIL 32 pin plug L010 = cable output 1 m (standard) Lxx0 = cable out. x m (max. length 10m) L100 = cable output 10 m</p> <p>Ⓗ CUSTOM VERSION</p>
---	--	---	---

Document release	Date	Description
1.1	29.01.2025	ASR58 series order code update
1.0	11.03.2024	New order code