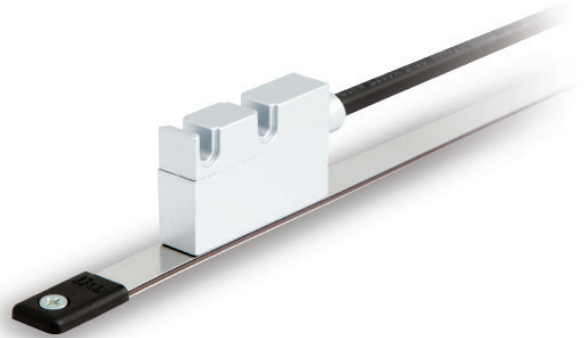




- Sensors phased-out
- Not recommended for new designs
- Available for spare parts



SML • SMH

ENVIRONMENTAL SPECIFICATIONS

Shock:	250 g, 6 ms acc. to CEI EN 60068-2-27
Vibrations:	10 g, 5-2000 Hz acc. to CEI EN 60068-2-6
Protection:	IP67
Operating temperature range:	-25°C ÷ +85°C (-13°F +185°F)
Storage temperature range:	-40°C ÷ +100°C (-40°F +212°F)

MECHANICAL SPECIFICATIONS

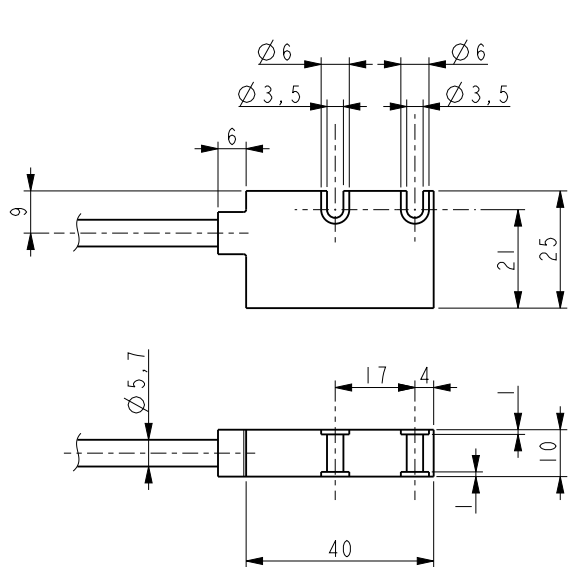
Dimensions:	see drawing
Housing material:	die cast aluminium, UNI EN AC-46100
Electrical connections:	Lika Hi-flex cable M8 2,0 m or M12 8 pin inline plug
Gap between sensor/tape (without cover strip):	0,1 ÷ 2,0 mm
Travel speed (mechanical):	max 16 m/s
Measurement length:	Tape length -5 mm each side

ELECTRICAL SPECIFICATIONS

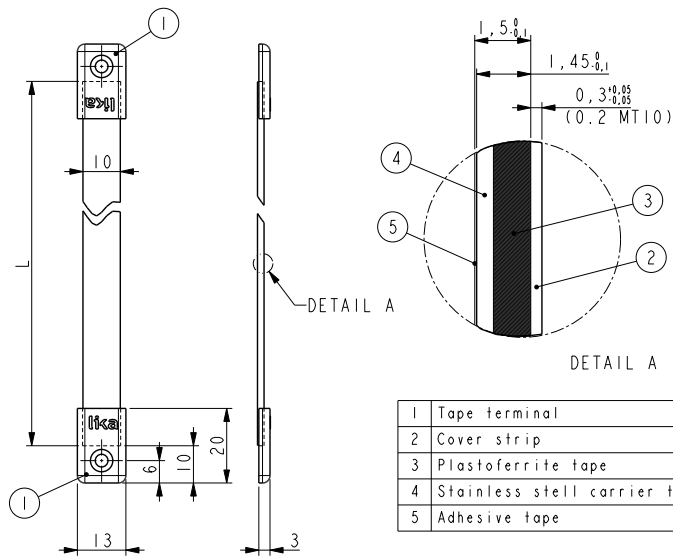
Resolution:	0,1 / 0,25 / 0,5 / 1 mm
Sensor accuracy:	±25 µm max.
Repeat accuracy:	±1 increment
Output circuits:	Line Driver, Push-Pull
Counting frequency:	500 kHz max.
Output signals:	AB0 /AB0
Power supply:	+5Vdc ±5%, +10Vdc ÷ +30Vdc
Power consumption:	70 mA max.
Protection:	against inversion of polarity (except 5Vdc version) and short-circuit
EMC:	acc. to EN 61000-6-2 level 3

ACCESSORIES

MTI-0320:	Magnetic tape for SML
MTI-0400:	Magnetic tape for SMH
KIT LKM-1440:	Set of tape terminals (10 pcs)
E-M12F8:	M12 8 pin mating connector
EC-M12F8-LK-M8-050:	cordset 5 meters with M12 conn.
EC-M12F8-LK-M8-100:	cordset 10 meters with M12 conn.



SML • SMH



1	Tape terminal
2	Cover strip
3	Plastoferrite tape
4	Stainless steel carrier tape
5	Adhesive tape

MTI-0320-10 • MTI-0400-10

Order code - Sensor

SML SMH	-	XXX a	-	XXXX b	-	X c	-	XXXX d	/Sxxx e
------------	---	----------	---	-----------	---	--------	---	-----------	------------

<p>a) OUTPUT CIRCUITS & POWER SUPPLY Y2 = Push-Pull (AB), +10Vdc ÷ +30Vdc YC2 = Push-Pull (AB, /AB), +10Vdc ÷ +30Vdc L1 = Line Driver (AB, /AB), +5Vdc ±5%</p>	<p>b) RESOLUTION 1000 = 1 mm (SMH) 0500 = 0,5 mm (SMH) 0250 = 0,25 mm (SMH) 0100 = 0,1 mm (SML, SMH)</p> <p>c) INDEX N = without I = every 3,2 mm (SML) every 4,0 mm (SMH)</p>	<p>d) CABLE TYPE & LENGTH L020 = cable output 2 m Lxx0 = cable out. x m (max. length 10m) M005 = 0,5 m cable + M12 inline plug M020 = 2 m cable + M12 inline plug</p>
		e) CUSTOM VERSION

Order code - Magnetic tape

MTI	-	XXXX a	-	XX b	-	XXXXXX c	-	X d	-	X e	-	X f	-	XXX g	/Sxxx h
-----	---	-----------	---	---------	---	-------------	---	--------	---	--------	---	--------	---	----------	------------

<p>a) CODING 0320 = 3,2 mm pole pitch (ex MT32) 0400 = 4 mm pole pitch (ex MT40)</p>	<p>b) WIDTH 10 = 10 mm</p>	<p>c) LENGTH 001000 = 1 m 002000 = 2 m 004000 = 4 m 010000 = 10 m 020000 = 20 m 030000 = 30 m</p>	<p>d) BIADHESIVE B = supplied N = not supplied</p> <p>e) PRINTING P = standard S = custom</p>	<p>f) COVER STRIP C = supplied N = not supplied</p>	<p>g) ACCURACY CLASS 100 = ±85 µm/m</p>
					h) CUSTOM VERSION

Document release	Date	Description
1.0	January 2023	New order code