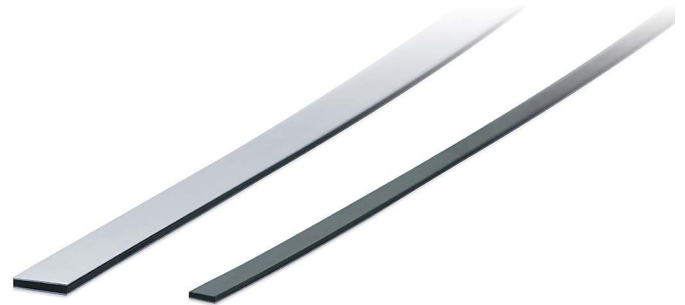




- Flexible magnetic tape with adhesive tape
- Incremental coding
- Cover strip available on request
- Resistant to debris, liquids and oils
- Standard rolls up to 100 m
- MT10, MT20, MT25, MT32, MT40, MT50 series
- MTS20, MTS50 series



MT • MTS

### ENVIRONMENTAL SPECIFICATIONS

|                              |                             |
|------------------------------|-----------------------------|
| Protection:                  | IP67                        |
| Operating temperature range: | -25°C +85°C (-13°F +185°F)  |
| Storage temperature range:   | -40°C +100°C (-40°F +212°F) |

### MECHANICAL SPECIFICATIONS

|                                |  |
|--------------------------------|--|
| Dimensions:                    | see drawing  |
| Material:                      | plastoferrite and stainless steel  |
| Accuracy class:                | see order code   |
| Thermal expansion coefficient: | 16 * 10 <sup>-6</sup> /K   |
| Length:                        | MT max. 100 m, MTS max. 30 m   |
| Polar pitch:                   | MT/MTS50 : 5,0 mm, MT40 : 4,0 mm, MT32 : 3,2 mm<br>MT/MTS20 : 2,0 mm, MT25 : 2,5 mm, MT10 : 1,0 mm |

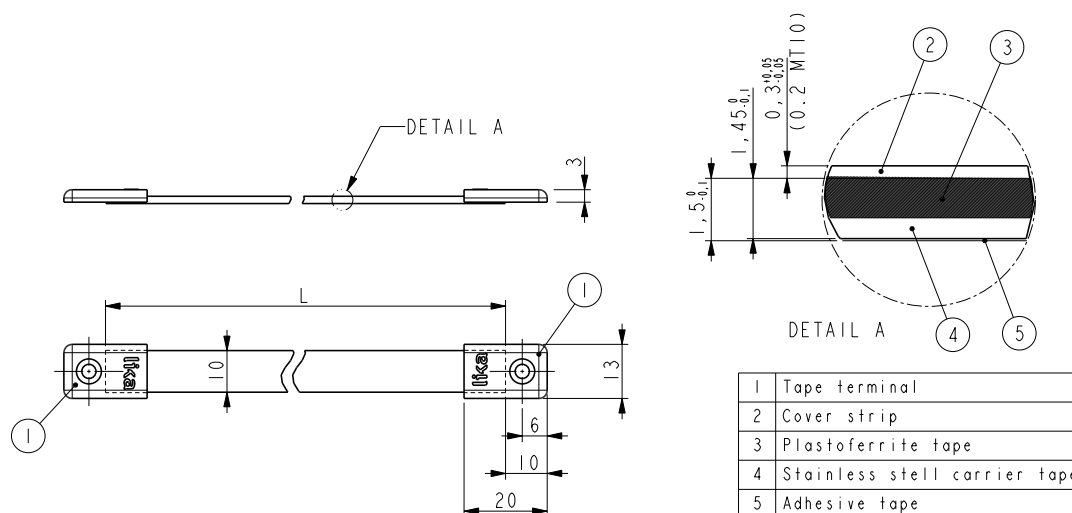
### CHEMICAL RESISTANCE INFORMATION

|                                  |     |                     |     |
|----------------------------------|-----|---------------------|-----|
| Acetone                          | ••  | Mineral / Motor oil | •   |
| Acetylene                        | ••  | Petrol              | ••  |
| Antifreeze (Glacial acetic acid) | •   | Seawater            | ••  |
| Benzene                          | ••• | Steam heat          | •   |
| Heptane                          | ••• | Thinner             | ••• |
| Kerosene                         | •   | Turpentine          | ••  |
| Ketone                           | ••• |                     |     |

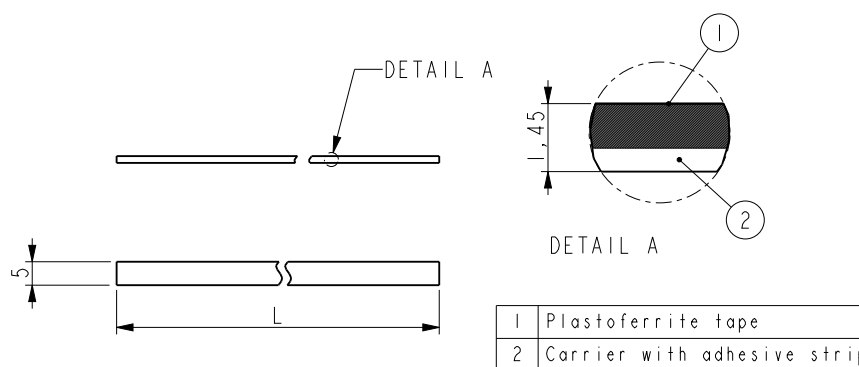
• No effect or low effect      •• Low to Medium effect      ••• Strong effect

### ACCESSORIES

|               |                             |
|---------------|-----------------------------|
| KIT PS1-1,0:  | Protection profile (10 pcs) |
| KIT LKM-1440: | Tape terminals (10 pcs)     |



MT



MTS

Order code

|                      |                      |   |          |   |          |   |        |   |            |
|----------------------|----------------------|---|----------|---|----------|---|--------|---|------------|
| MT50<br>MT40<br>MT32 | MT25<br>MT20<br>MT10 | - | XXX<br>Ⓐ | - | XXX<br>Ⓑ | - | X<br>Ⓒ | - | /Sxxx<br>Ⓓ |
|----------------------|----------------------|---|----------|---|----------|---|--------|---|------------|

Ⓐ LENGTH

1 = 1,0 m      20 = 20,0 m  
 2 = 2,0 m      30 = 30,0 m  
 4 = 4,0 m      50 = 50,0 m  
 10 = 10,0 m    100 = 100,0 m

Ⓑ ACCURACY CLASS

100 = ±85 µm/m  
 50 = ±35 µm/m (up to 30 m)  
 10 = ±8 µm/m (up to 10 m)

Ⓒ COVER STRIP

0 = not supplied  
 1 = supplied

Ⓓ CUSTOM VERSION

Order code

|                |   |          |   |          |   |        |   |            |
|----------------|---|----------|---|----------|---|--------|---|------------|
| MTS50<br>MTS20 | - | XXX<br>Ⓐ | - | XXX<br>Ⓑ | - | X<br>Ⓒ | - | /Sxxx<br>Ⓓ |
|----------------|---|----------|---|----------|---|--------|---|------------|

Ⓐ LENGTH

1 = 1,0 m  
 2 = 2,0 m  
 4 = 4,0 m  
 10 = 10,0 m  
 20 = 20,0 m  
 30 = 30,0 m

Ⓑ ACCURACY CLASS

100 = ±85 µm/m  
 50 = ±35 µm/m

Ⓒ COVER STRIP

0 = not supplied

Ⓓ CUSTOM VERSION