

# DRAW-WIRE

Miniature absolute draw-wire encoder

lika

Series

SFA



- Absolute draw-wire encoder
- Robust and compact design
- Resolution from 0.1 to 0.012 mm
- Measuring range 1000 and 2000 mm



SFA

## ENVIRONMENTAL SPECIFICATIONS

Operating temperature range:	-25°C + 85°C (-13°F + 185°F)
Protection:	IP64

## MECHANICAL SPECIFICATIONS

Dimensions:	see drawing
Stroke per turn:	100 mm
Wire retraction force:	3 ÷ 5 N
Measuring length:	1000, 2000 mm
Measuring speed:	1 m/sec max.
Weight:	~ 0,3 kg
Connections:	M12 8 pin plug, cable 2,0 m

## ELECTRICAL SPECIFICATIONS

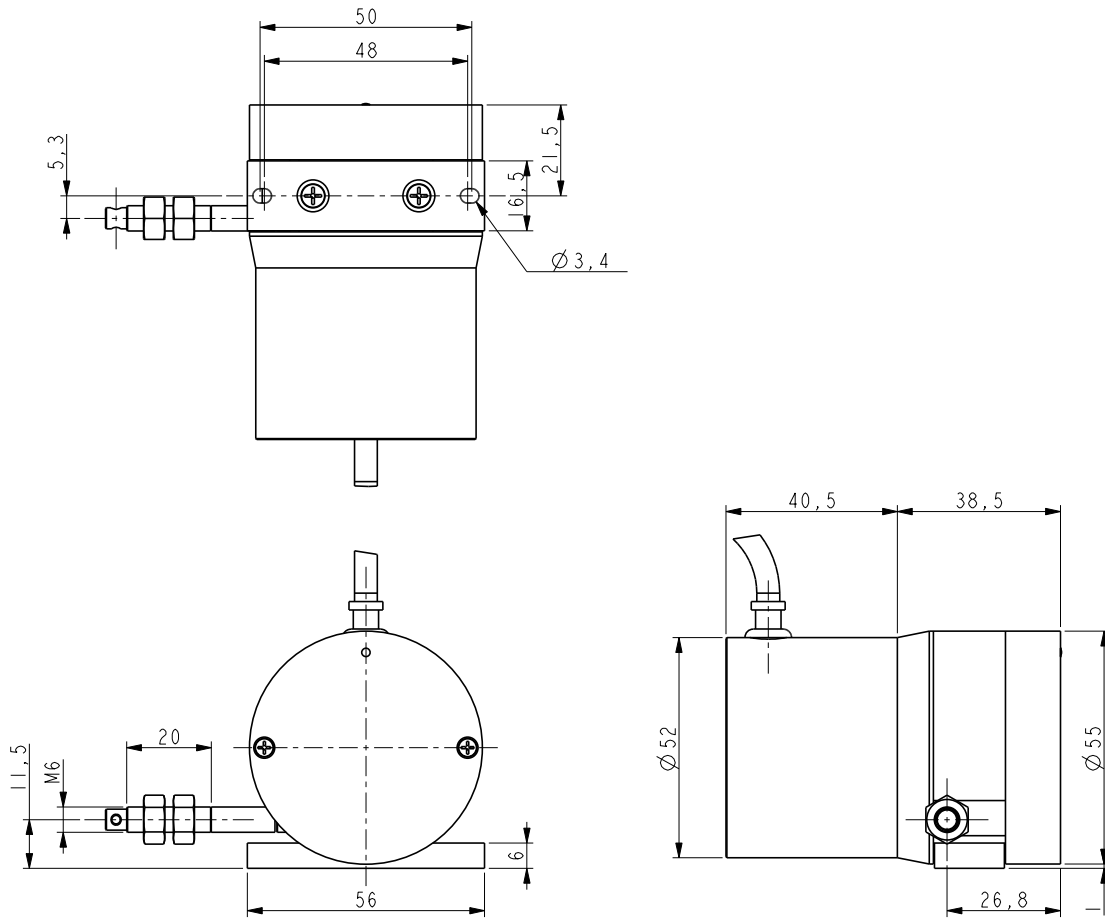
Resolution:	0.012, 0.025, 0.05, 0.1 mm
Output code:	Binary, Gray
Power supply:	+10Vdc +30Vdc
Power consumption:	25 mA max.
Output circuits:	SSI (25 bit, LSB aligned, clock 300 kHz max, Tp > 64 µsec)
Protection:	against inversion of polarity
EMC:	acc. to EN-61000-4-2/A1 EN-61000-4-4
Battery life:	10 years min.
Function:	• Zero setting • Counting direction

## MATERIALS

Housing:	non corroding, UNI EN AW-6082
Wire:	stainless steel, non magnetic - UNI EN 4305

## ACCESSORIES

EC-M12F8-LK-M8-5:	M12 cordset with 5 m cable
EC-M12F8-LK-M8-10:	M12 cordset with 10 m cable
E-M12F8:	M12 8 pin mating connector



SFA

Order code

SFA	-	XXXX	-	XX	-	XXXX	-	XXX
		Ⓐ		Ⓑ		Ⓒ		Ⓓ

Ⓐ MEASURING LENGTH

1000 = 1000 mm  
2000 = 2000 mm

Ⓑ OUTPUT CIRCUIT

BA = SSI, binary code, LSB aligned  
GA = SSI, gray code, LSB aligned

Ⓒ RESOLUTION

8192 = 0.012 mm  
4000 = 0.025 mm  
2000 = 0.05 mm  
1000 = 0.1 mm

Ⓓ CONNECTIONS

L2 = 2 meters  
Lx = cable length on request  
M0,5 = 0.5 m cable + M12 8 pin inline connector  
M2 = 2 m cable + M12 8 pin inline connector