

# DRAW-WIRE

Miniature absolute draw-wire encoder

lika

Series

SFAS1



- Absolute draw-wire encoder
- Robust and compact design
- Resolution from 0.1 to 0.012 mm
- Measuring range 1000 and 2000 mm



SFAS1

## ENVIRONMENTAL SPECIFICATIONS

Operating temperature range:	-25°C + 85°C (-13°F + 185°F)
Protection:	IP64

## MECHANICAL SPECIFICATIONS

Dimensions:	see drawing
Stroke per turn:	100 mm
Wire retraction force:	3 ÷ 5 N
Measuring length:	1000, 2000 mm
Measuring speed:	1 m/sec max.
Weight:	~ 0,3 kg
Connections:	M12 8 pin plug, cable 2,0 m

## ELECTRICAL SPECIFICATIONS

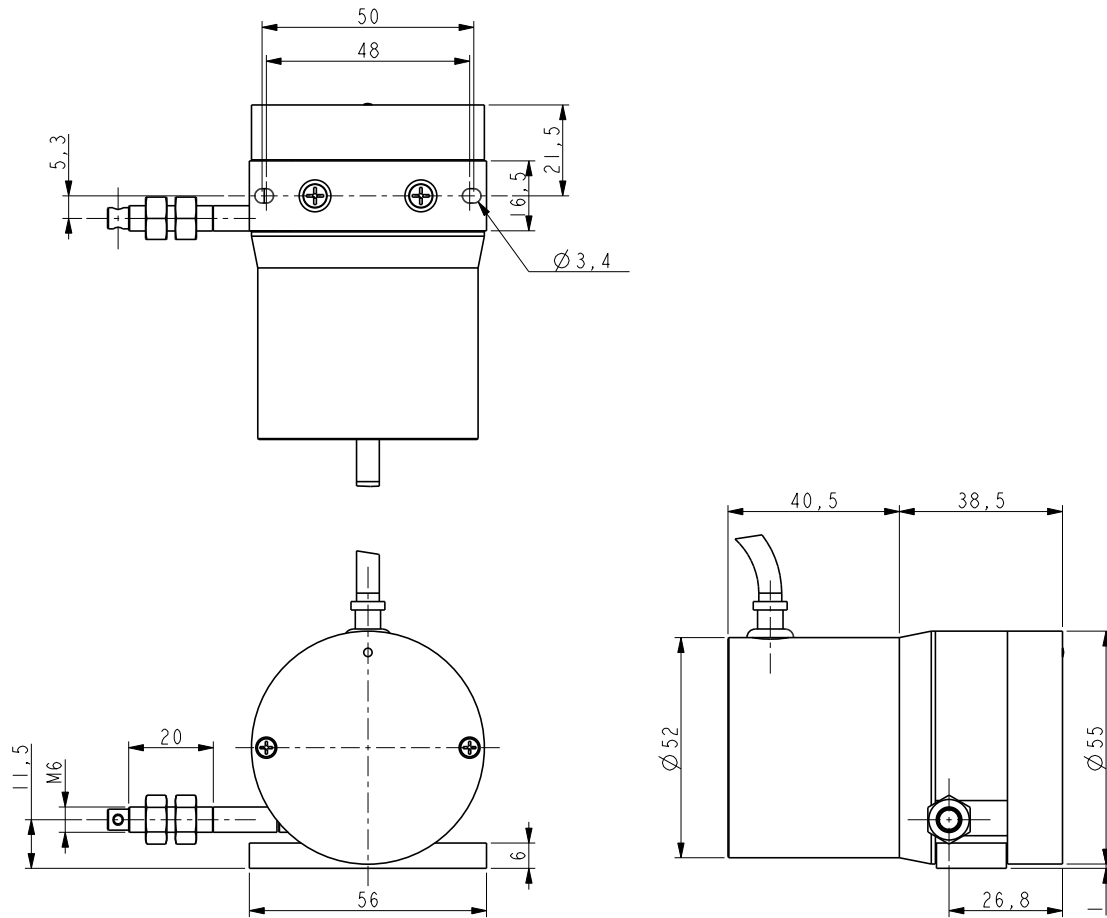
Resolution:	0.012, 0.025, 0.05, 0.1 mm
Output code:	Binary, Gray
Power supply:	+10Vdc +30Vdc
Power consumption:	25 mA max.
Output circuits:	SSI (25 bit, LSB aligned, clock 300 kHz max, Tp > 64 µsec)
Protection:	against inversion of polarity
EMC:	acc. to EN-61000-4-2/A1 EN-61000-4-4
Battery life:	10 years min.
Function:	• Zero setting • Counting direction

## MATERIALS

Housing:	non corroding, UNI EN AW-6082
Wire:	stainless steel, non magnetic - UNI EN 4305

## ACCESSORIES

EC-M12F8-LK-M8-050:	M12 cordset with 5 m cable
EC-M12F8-LK-M8-100:	M12 cordset with 10 m cable
E-M12F8:	M12 8 pin mating connector



SFAS1

Order code

SFAS1	-	XXXXX	-	XXX	-	XXXXX	-	X	-	XXXX	/Sxxx
		Ⓐ		Ⓑ		Ⓒ		Ⓓ		Ⓔ	Ⓕ

Ⓐ MEASURING LENGTH

01000 = 1000 mm  
02000 = 2000 mm

Ⓑ OUTPUT CIRCUIT / POWER SUPPLY

BA2 = SSI, binary code, LSB aligned, +10Vdc +30Vdc  
GA2 = SSI, gray code, LSB aligned, +10Vdc +30Vdc

Ⓒ RESOLUTION

08192 = 0.012 mm  
04000 = 0.025 mm  
02000 = 0.05 mm  
01000 = 0.1 mm

Ⓓ CONNECTION POSITION

R = radial

Ⓔ CABLE TYPE & LENGTH

L020 = cable output 2 m  
Lxx0 = cable output x m (max. length 10 m)  
M005 = 0.5 m cable + M12 8 pin inline connector  
M020 = 2 m cable + M12 8 pin inline connector

Ⓕ CUSTOM VERSION

Document release	Date	Description
1.0	September 2023	New order code