

- Integrated absolute encoder
- SSI interface, gray or binary coded
- Compact design & easy installation
- 5000 & 10000 mm measuring length
- Resolution 0.1, 0.05, 0.024 mm (other on request)



SFAM1 • SFAM2

ENVIRONMENTAL SPECIFICATIONS

Shock:	100 g, 6 ms
Vibrations:	10 g, 5-2000 Hz
Protection:	IP65
Operating temperature range:	-40°C +85°C (-40°F +185°F)
Storage temperature range:	-40°C +100°C (-40°F +212°F) (98% R.H. without condensation)

MECHANICAL SPECIFICATIONS

Dimensions:	see drawing
Drum circumference:	200 mm
Wire retraction force:	5000: 3,2 ÷ 6,5 N 10000: 3,2 ÷ 6 N
Measuring length:	5000, 10000 mm
Linearity:	± 0,5 mm
Repeatability:	± 0,1 mm
Measuring speed:	2 m/sec max.
Weight:	~ 0,8 kg
Connections:	M12, M23 plug or cable output 1 m

ELECTRICAL SPECIFICATIONS

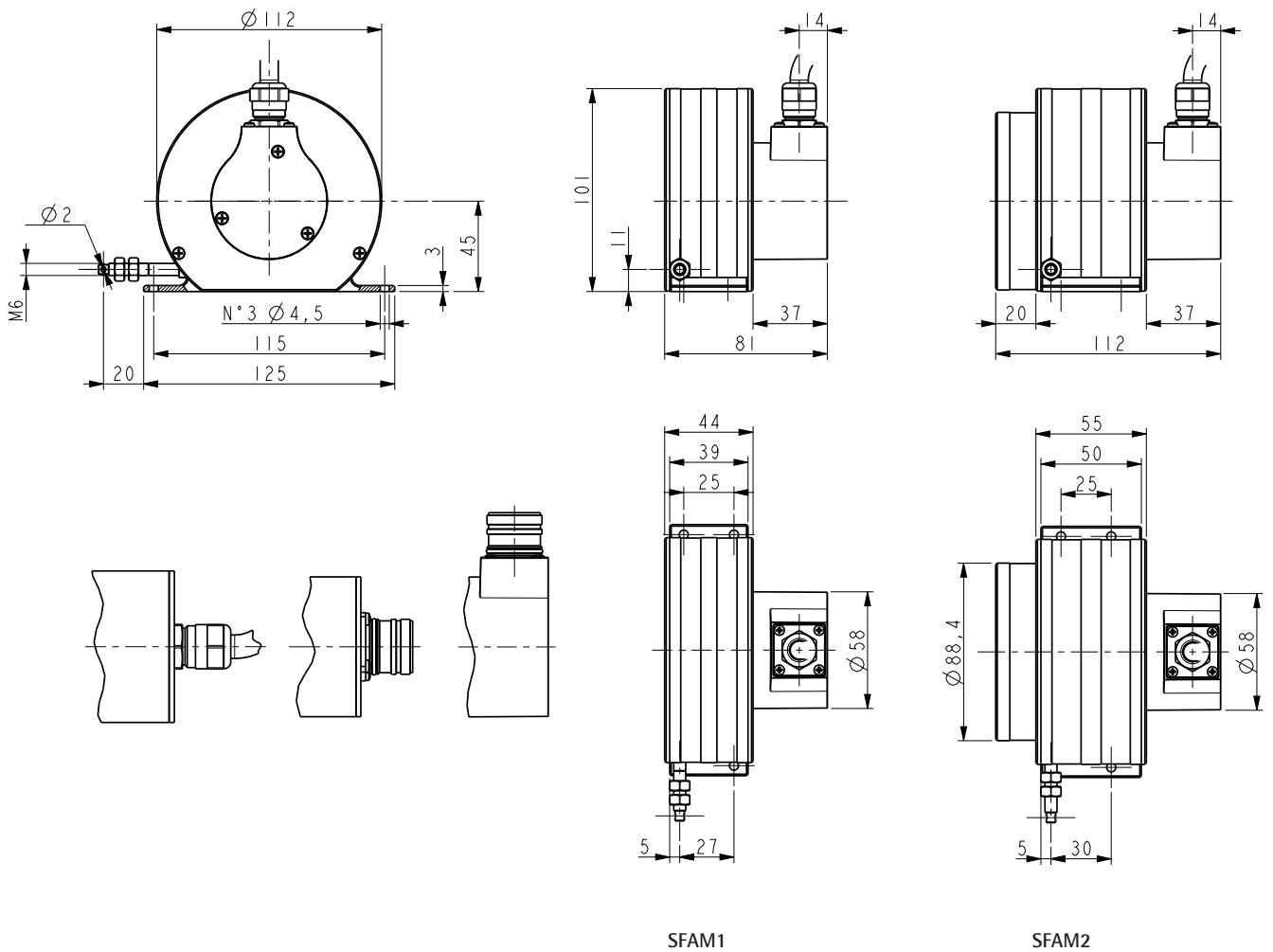
Power supply:	+7,5Vdc +34Vdc
Output circuit:	SSI, LSB aligned, gray or binary
Resolution:	0.1, 0.05, 0.024 mm
Consumption:	0,6 W
Protection:	against inversion of polarity and short-circuit
EMC:	electro-magnetic immunity, according to: EN 61000-4-2 EN 61000-4-4
Functions:	<ul style="list-style-type: none"> • counting direction (input) • Zero setting/Preset (input)

MATERIALS

Housing (draw-wire):	anticorodal, UNI EN AW-6082
Housing (encoder):	die cast alluminium, UNI EN AC-46100
Wire:	stainless steel, non magnetic - UNI EN 4305

ACCESSORIES

EPFL121H:	M23 12 pin connector
EM12F8:	M12 8 pin mating connector
EC-CR12F-S28-T12-100	cordset 10m, M23 connector
EC-CR12F-S28-T12-200	cordset 20m, M23 connector
EC-M12F8-LK-M8-050:	cordset 5m, M12 8 pin connector
EC-M12F8-LK-M8-100:	cordset 10m, M12 8 pin connector



SFAM1

SFAM2

Order code

SFAM1	-	XXXXX	-	XXX	-	XXXXX	-	X	-	XXXX	/Sxxx
SFAM2		Ⓐ		Ⓑ		Ⓒ		Ⓓ		Ⓔ	Ⓕ

Ⓐ MEASURING LENGTH

05000 = 5000 mm (SFAM1)
10000 = 10000 mm (SFAM2)

Ⓑ OUTPUT CIRCUIT / POWER SUPPLY

BA2 = SSI, binary code, LSB aligned, +7,5Vdc +34Vdc
GA2 = SSI, gray code, LSB aligned, +7,5Vdc +34Vdc

Ⓒ RESOLUTION

08192 = 0,024 mm
04000 = 0,05 mm
02000 = 0,1 mm

Ⓓ CONNECTION POSITION

A = axial
R = radial

Ⓔ CABLE TYPE & LENGTH

L010 = cable output 1 m
Lxx0 = cable output x m (max. length 10 m)
M8 = M12 8 pin plug
M2 = M23 12 pin plug

Ⓕ CUSTOM VERSION

Document release	Date	Description
1.0	September 2023	New order code
1.1	02.10.2023	Cable type (M8)