

DRAW-WIRE

Absolute draw-wire encoder with fieldbus interface

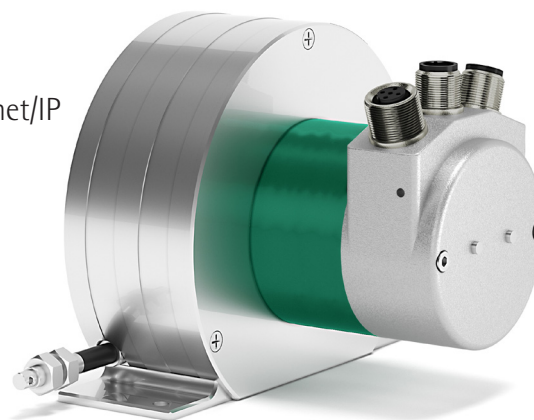
lika

Series

SFAM1 FB • SFAM2 FB



- Integrated absolute encoder
- Fieldbus interfaces: Profibus, CANopen, DeviceNet
Ethernet interfaces: Profinet, Powerlink, Modbus/TCP, EtherCAT, Ethernet/IP
- Programmable resolution up to 0,024 mm
- M12 or PG connections
- 5000 & 10000 mm measuring length
- Compact design & easy installation



SFAM1 FB • SFAM2 FB

ENVIRONMENTAL SPECIFICATIONS

Protection:	IP65
Operating temperature range:	-40°C +85°C (-40°F + 185°F)
Storage temperature range:	-40°C +100°C (-40°F +212°F) (98% R.H. without condensation)

MECHANICAL SPECIFICATIONS

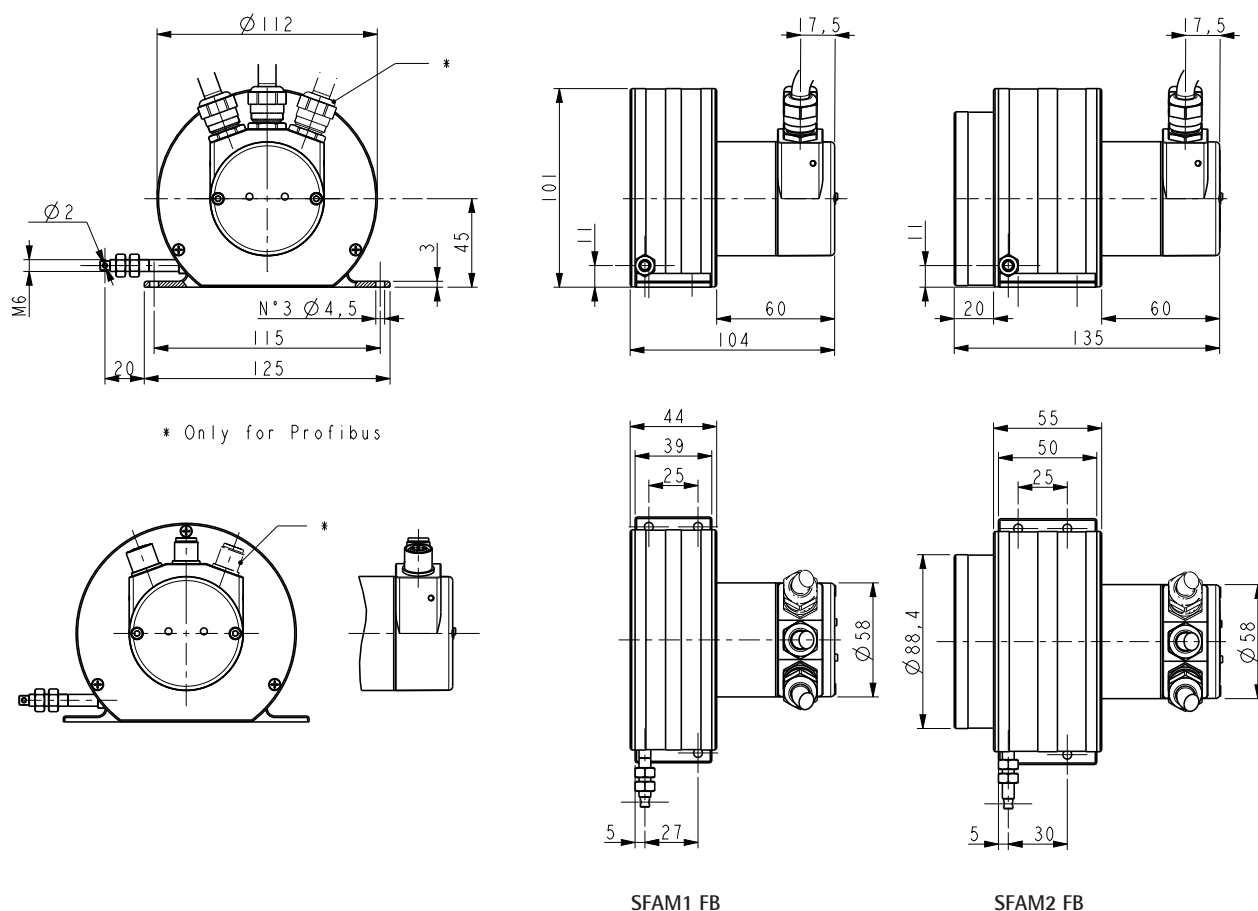
Dimensions:	see drawing
Measuring length:	5000, 10000 mm
Drum circumference:	200 mm
Linearity:	± 0,5 mm
Repeatability:	± 0,1 mm
Travel speed:	2 m/sec max.
Electrical connections:	M12 connectors or PG output
Weight:	~ 0,8 kg

ELECTRICAL SPECIFICATIONS

Resolution:	0,024 mm or scalable via fieldbus
Interface:	Profibus-DP V0, CANopen DS301-DS406, Devicenet Ethernet/IP, EtherCAT, Powerlink, Profinet IO, Modbus/TCP
Programmable parameters:	scaling, counting direction, preset/offset values
Power supply:	+10Vdc +30Vdc
Power consumption :	2,2 W
Protection:	against inversion of polarity and short-circuit
EMC:	electro-magnetic immunity, according to: EN 61000-4-2 EN 61000-4-4
Functions:	see user manual for each fieldbus

MATERIALS

Housing (draw-wire):	anticorrosive, UNI EN AW-6082
Housing (encoder):	die cast aluminium, UNI EN AC-46100
Wire:	stainless steel, non magnetic - UNI EN 4305



* Only for Profibus

SFAM1 FB

SFAM2 FB

Order code

SFAM1	-	XXXXX	-	XXX	-	XXXXX	-	X	-	XXX	/Sxxx
SFAM2		Ⓐ		Ⓑ		Ⓒ		Ⓓ		Ⓔ	Ⓕ

Ⓐ MEASURING LENGTH

05000 = 5000 mm (SFAM1)
10000 = 10000 mm (SFAM2)

Ⓑ OUTPUT CIRCUIT / POWER SUPPLY

PB2 = Profibus-DP V0, +10Vdc +30Vdc
CB2 = CANopen DS301, DS406, +10Vdc +30Vdc
FD2 = DeviceNet, +10Vdc +30Vdc
PT2 = Profinet IO, +10Vdc +30Vdc
PL2 = Powerlink, +10Vdc +30Vdc
EC2 = EtherCAT, +10Vdc +30Vdc
EP2 = Ethernet/IP, +10Vdc +30Vdc
MT2 = Modbus/TCP, +10Vdc +30Vdc

Ⓒ RESOLUTION

08192 = 0,024 mm

Ⓓ CONNECTION POSITION

R = radial

Ⓔ CONNECTIONS

M12 = M12 connectors
PG = PG output (only PB, CB, FD)

Ⓕ CUSTOM VERSION

ACCESSORIES

EC-M12MC-LK-CB-050:	CANopen/DeviceNet M12 plug cordset with 5 m cable	EC-M12MP-LK-PB-050:	Profibus M12 plug cordset with 5 m cable
EC-M12MC-LK-CB-100:	CANopen/DeviceNet M12 plug cordset with 10 m cable	EC-M12MP-LK-PB-100:	Profibus M12 plug cordset with 10 m cable
EC-M12FC-LK-CB-050:	CANopen/DeviceNet M12 connector cordset with 5 m cable	EC-M12FP-LK-PB-050:	Profibus M12 connector cordset with 5 m cable
EC-M12FC-LK-CB-100:	CANopen/DeviceNet M12 conn. cordset with 10 m cable	EC-M12FP-LK-PB-100:	Profibus M12 connector cordset with 10 m cable
EC-M12ME-EC-GN-050:	Ethernet M12 cordset with 5 m cable	EC-M12PP-LK-PBS-050:	M12 Power supply cordset 5 m (all types)
EC-M12ME-EC-GN-100:	Ethernet M12 cordset with 10 m cable	EC-M12PP-LK-PBS-100:	M12 Power supply cordset 10 m (all types)

Document release	Date	Description
1.0	September 2023	New order code