



- Programmable resolution from 1 to 0,001°
- Accuracy up to ± 0.2 deg
- 1 or 2 axes version
- Programmable anti-vibration filter
- Integrated software diagnostic
- MTF value = 102 years
- Robust die cast housing with IP67



IXC1 • IXC2

ENVIRONMENTAL SPECIFICATIONS

| | |
|------------------------------|--|
| Shock: | 300 g, 11 ms acc. to EN60068-2-27 |
| Vibrations: | 8,2-500 Hz, 40 m/s ² acc. to EN60068-2-6 10-500 Hz, 3 g acc. to EN60068-2-64 |
| Protection: | IP67 |
| Operating temperature range: | -40°C +85°C (-40°F +185°F) |
| Storage temperature range: | -40°C +85°C (-40°F +185°F) |

MECHANICAL SPECIFICATIONS

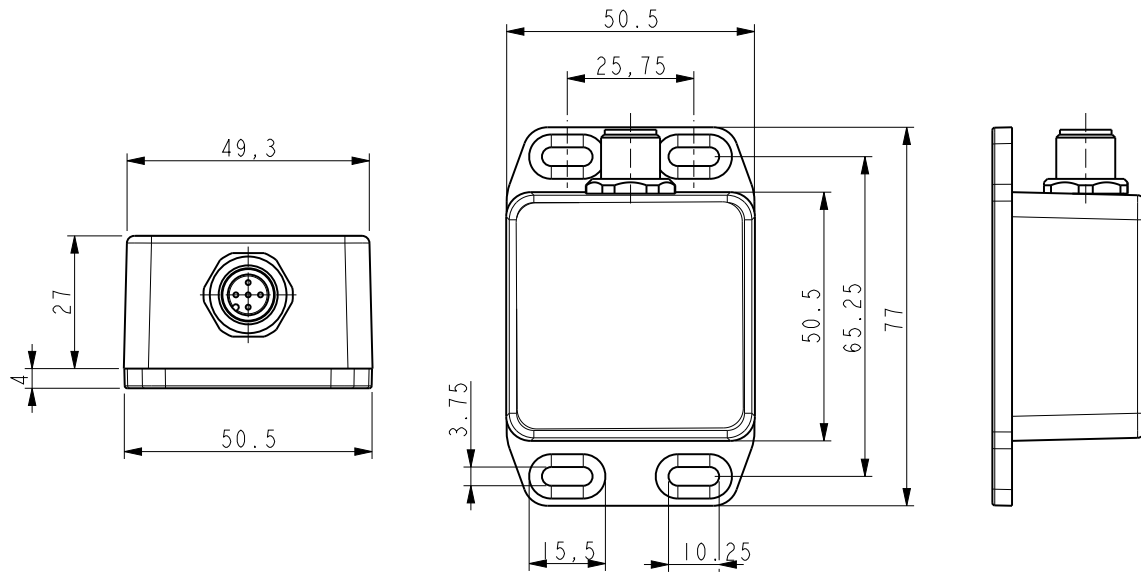
| | |
|-------------------------|--------------------------|
| Dimensions: | see drawing |
| Housing material: | die cast aluminium alloy |
| Electrical connections: | M12 5 pin plug |

ELECTRICAL SPECIFICATIONS

| | |
|-----------------------------------|---|
| Resolution: | programmable from 1.0 to 0,001°(*) <i>(*) 0,001° only in 2 axes mode and $\pm 30^\circ$ measurement range</i> |
| Accuracy: | typ. $\pm 0,2$ deg (max. $\pm 0,5$ deg) <i>only up to $\pm 30^\circ$ for 2 axes</i> |
| Temperature drift: | $\pm 0,008$ deg/°C |
| Measurement range (programmable): | IXC1: 0-360 deg or ± 180 deg IXC2: from ± 5 to ± 60 deg |
| Output circuit: | CANopen DS301, DSP410 |
| Sampling rate: | 550 S/s |
| Baudrate: | 10 - 1000 kbaud (programmable) |
| Power supply: | +7Vdc +40Vdc |
| Power consumption: | 45 mA max. |
| Protection: | against inversion of polarity |
| EMC: | acc. to EN 61000-6-2, EN 61000-6-3 |
| Functions: | programmable antivibration filter |

ACCESSORIES

| | |
|-----------------|-----------------------------|
| E-M12FC: | M12 5 pin connector |
| EC-M12FC-LK-5: | M12 cordset with 5 m cable |
| EC-M12FC-LK-10: | M12 cordset with 10 m cable |



IXC1 • IXC2

Order code - 1 axis version

| | | | | | | | | |
|------|---|---------|---|----------|---|--------|---|------------|
| IXC1 | - | XX ⓐ | - | XXX ⓑ | - | X ⓒ | - | /Sxxx ⓓ |
|------|---|---------|---|----------|---|--------|---|------------|

| | | | |
|--------------------------|--------------------------------------|---|------------------|
| ⓐ OUTPUT CB = CANopen | ⓑ MEASURING RANGE 360 = 0-360 deg | ⓒ CONNECTION M = M12 5 pin connector | ⓓ CUSTOM VERSION |
|--------------------------|--------------------------------------|---|------------------|

Order code - 2 axes version

| | | | | | | | | |
|------|---|---------|---|---------|---|--------|---|------------|
| IXC2 | - | XX ⓐ | - | XX ⓑ | - | X ⓒ | - | /Sxxx ⓓ |
|------|---|---------|---|---------|---|--------|---|------------|

| | | | |
|--------------------------|-----------------------------------|---|------------------|
| ⓐ OUTPUT CB = CANopen | ⓑ MEASURING RANGE 60 = ±60 deg | ⓒ CONNECTION M = M12 5 pin connector | ⓓ CUSTOM VERSION |
|--------------------------|-----------------------------------|---|------------------|