



- High resolution absolute encoder for motor feedback
- SSI or BiSS-C interface
- Resolution up to 25 bit
- Additional sine/cosine output 2048 PPR
- Tapered shaft design
- Choice of additional fixing plates



ASB62

ENVIRONMENTAL SPECIFICATIONS

Shock:	250 g, 6 ms acc. to CEI EN 60068-2-27
Vibrations:	10 g, 5-2000 Hz acc. to CEI EN 60068-2-6
Protection:	IP40
Operating temperature range:	-30°C+100°C (-22°F +212°F)
Storage temperature range:	-40°C+100°C (-40°F +212°F) (98% R.H. without condensation)

MECHANICAL SPECIFICATIONS

Dimensions:	see drawing
Shaft diameter:	solid, 1:10 taper
Shaft loading (axial, radial):	40 N max.
Shaft rotational speed:	6000 rpm max.
Starting torque at 20°C:	0,15 Ncm (typical)
Bearings life:	10 ⁹ rev. min.
Electrical connections:	PCB connector (connection cable to be ordered separately)
Weight:	~ 200 g (7 oz)

ELECTRICAL SPECIFICATIONS

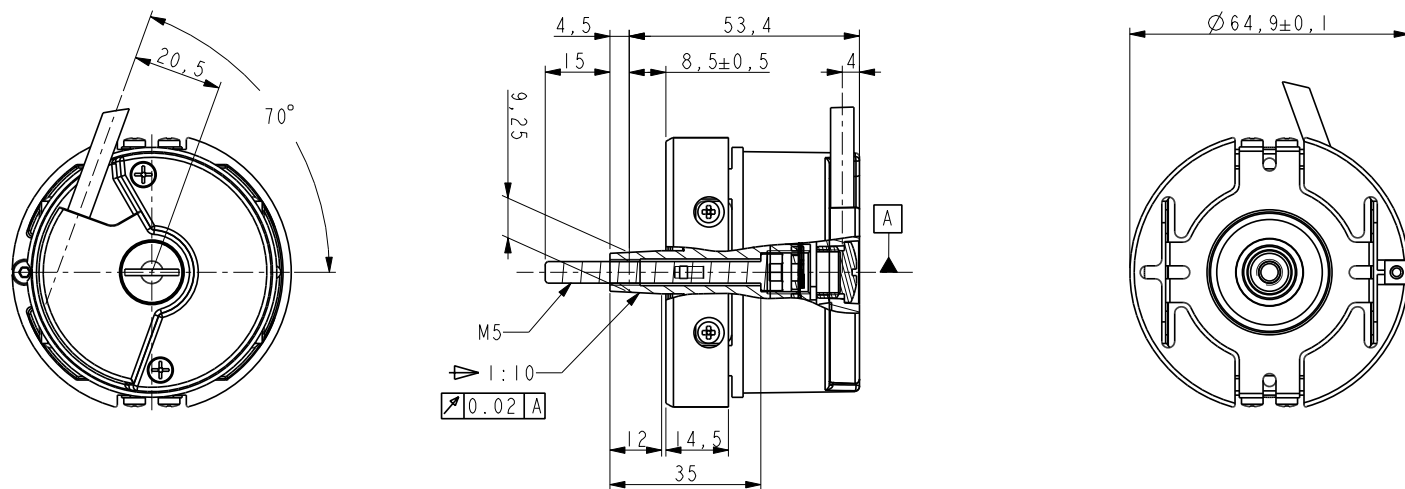
Resolution (PPR):	absolute: up to 25 bit incremental: 2048 PPR sin/cos
Counting frequency:	> 100 kHz max.
Output circuits:	SSI (RS422), clock rate < 4 MHz BiSS-C, clock rate < 10 MHz
Output code:	Gray, Binary
Power supply:	+5Vdc ±5%, +10Vdc +30Vdc
Consumption:	80 mA max.
Output current (each channel):	0,5 W
EMC:	electro-magnetic immunity, according to: EN 61000-4-2 EN 61000-4-4
Functions:	<ul style="list-style-type: none"> • Counting direction (input) • Zero setting/Preset (input)

MATERIALS

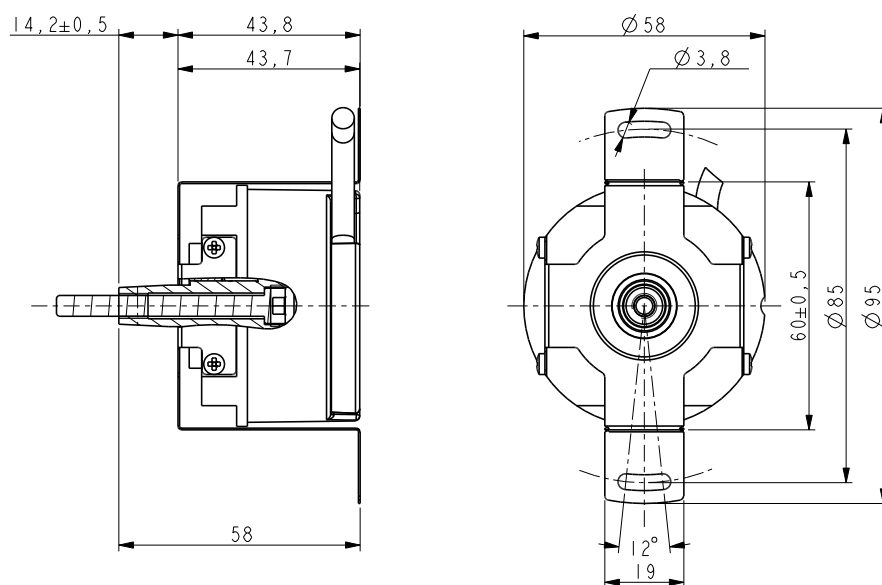
Flange:	aluminium, anticorrosive, UNI EN AW-6082
Housing:	zamak 15, UNI EN1774
Bearings:	ABEC 5
Shaft:	stainless steel, non-magnetic - UNI EN 4305

ACCESSORIES

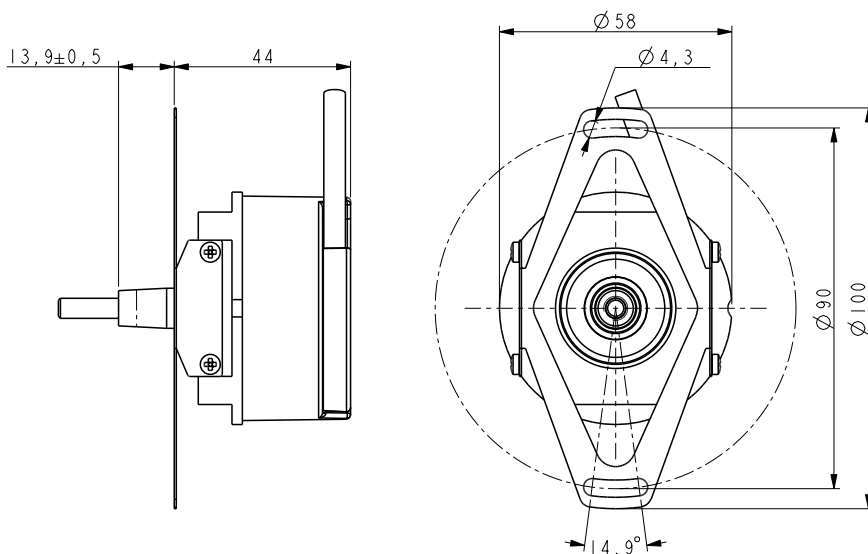
KIT MOL3255:	"B" fixing plate and screws
KIT MOL2311:	"D" fixing plate and screws
KIT MOL3035:	"E" fixing plate and screws
EC-ASB/CB62-010:	Connection cable 1 m
EC-ASB/CB62-040:	Connection cable 4 m
EC-ASB/CB62-050:	Connection cable 5 m
EC-ASB/CB62-070:	Connection cable 7 m
EC-ASB/CB62-100:	Connection cable 10 m



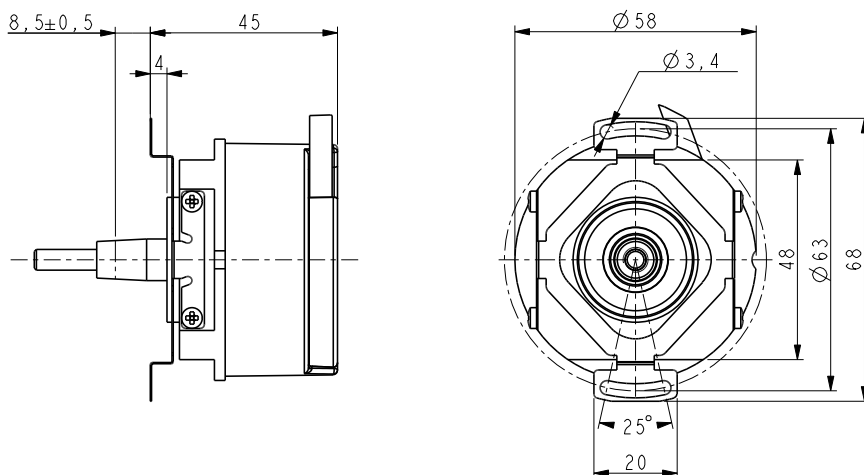
ASB62 - Version A (standard)



Version B (MOL3255)



Version D (MOL2311)



Version E (MOL3035)

Order code

ASB62	XX-XX	-	XXX	-	XX	X	-	X	/Sxxx
	(a)		(b)		(c)	(d)		(e)	(f)

Accessories order code

EC	-	ASB/CB62	-	X
----	---	----------	---	---

<p>(a) RESOLUTION (BIT SINGLETURN-BIT MULTITURN) 13-00 = 13 bit (8192 cpr) 17-00 = 17 bit (131072 cpr) 21-00 = 21 bit (2097152 cpr) 25-00 = 25 bit (33554432 cpr)</p> <p>(b) INTERFACE / POWER SUPPLY SC1 = BiSS C-mode + 2048 PPR sin/cos +5Vdc ±5% SC2 = BiSS C-mode + 2048 PPR sin/cos +10 +30Vdc GG1 = SSI, MSB aligned, Gray + 2048 PPR sin/cos +5Vdc ±5% GG2 = SSI, MSB aligned, Gray + 2048 PPR sin/cos +10 +30Vdc BG1 = SSI, MSB aligned, Binary + 2048 PPR sin/cos +5Vdc ±5% BG2 = SSI, MSB aligned, Binary + 2048 PPR sin/cos +10 +30Vdc</p>	<p>(c) SHAFT DIAMETER C1 = 1:10 taper</p> <p>(d) FIXING PLATE A = expansion flange (stnd) B = version B fixing plate D = version D fixing plate E = version E fixing plate</p> <p>(e) CONNECTION POSITION R = radial</p> <p>(f) CUSTOM VERSION</p>
--	--

<p>EC-ASB/CB62-010 = Connection cable 1 m EC-ASB/CB62-040 = Connection cable 4 m EC-ASB/CB62-050 = Connection cable 5 m EC-ASB/CB62-070 = Connection cable 7 m EC-ASB/CB62-100 = Connection cable 10 m</p>
--

Document release	Date	Description
	2.2.2024	Drawing - updated name Version A (standard)
1.3	July 2023	New order code
1.2	02.02.2021	Materials updating
1.1	14.12.2020	Fixing plate updated