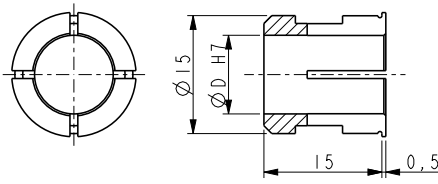


# ROTAPULS • ROTACOD

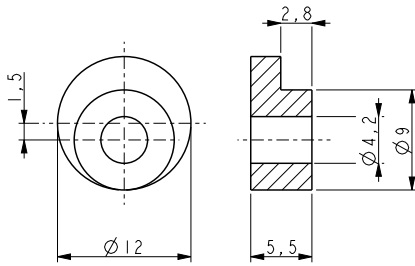
## Accessories

### BR1 reducing sleeve

BR1-12	∅ 12 mm h7
BR1-11	∅ 11 mm h7
BR1-10	∅ 10 mm h7
BR1-9.52	∅ 9.52 mm h7
BR1-8	∅ 8 mm h7
BR1-6	∅ 6 mm h7



### BR1 reducing sleeve

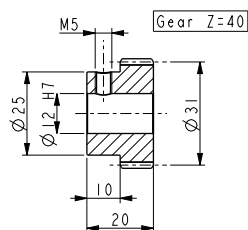
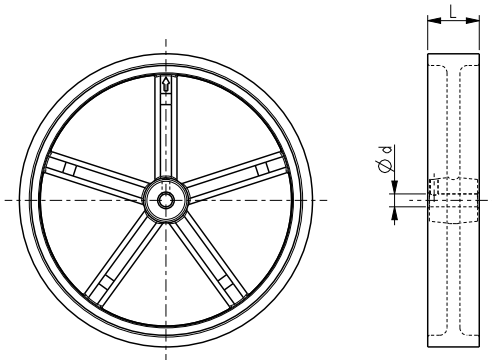


### LKM-386 Fixing clamps

For all encoders with servo flange.  
Kit LKM-386 is supplied as a set of 3 clamps, screws and nuts.

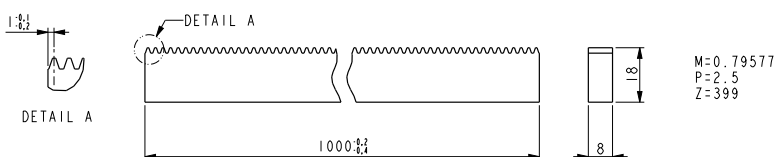
Mod.	Circ.	Surface	∅ d	L
RM200G	200 mm	rubber (smooth)	6 mm	12 mm
RM200Z	200 mm	metal (notched)	6 mm	12 mm
RM200GZ	200 mm	rubber (notched)	6 mm	12 mm
RM500G	500 mm	rubber (smooth)	8 mm	24 mm
RM500Z	500 mm	metal (notched)	8 mm	24 mm
RM500GZ	500 mm	rubber (notched)	8 mm	24 mm
RM500G-10	500 mm	rubber (smooth)	10 mm	24 mm
RM500GZ-10	500 mm	rubber (notched)	10 mm	24 mm

### RM200, RM500 metric wheels

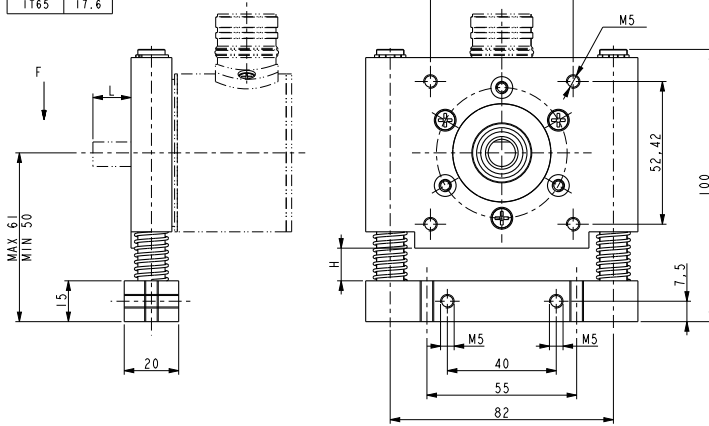


### PF4260 (pinion) & LKM-1224 (rack)

For linear measurements.  
1 turn of pinion equals 100 mm.  
Suitable models: ICS, see PF0408.



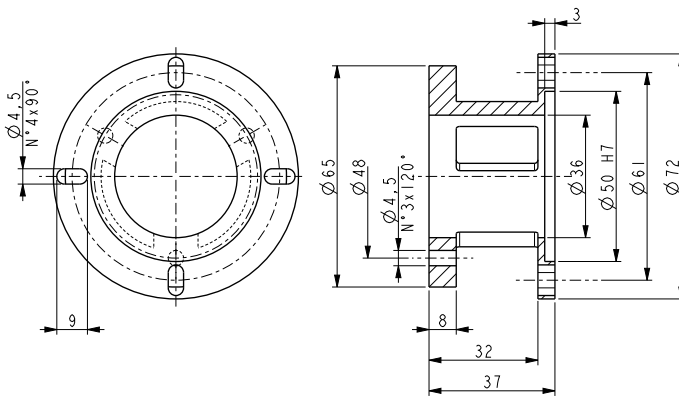
ITEM	L
xx58S	14
I65	20
IT65	17,6



### PF0408 spring loaded fixing support

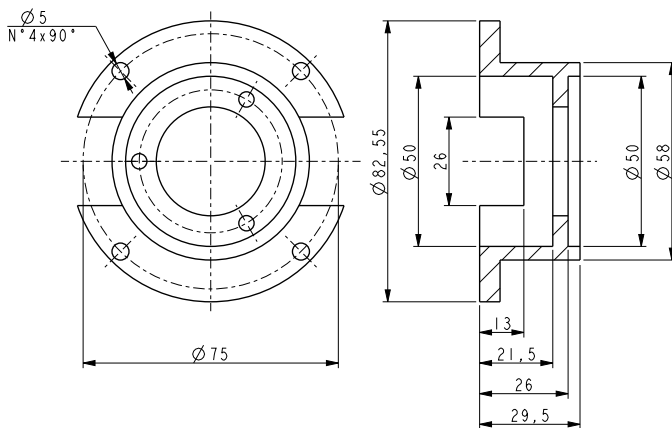
Can absorb misalignments when encoders are used with rack/pinions or metric wheels.

Suitable models: I58S, ES58S, EM58S, AS58S, AM58S, I65, IT65.



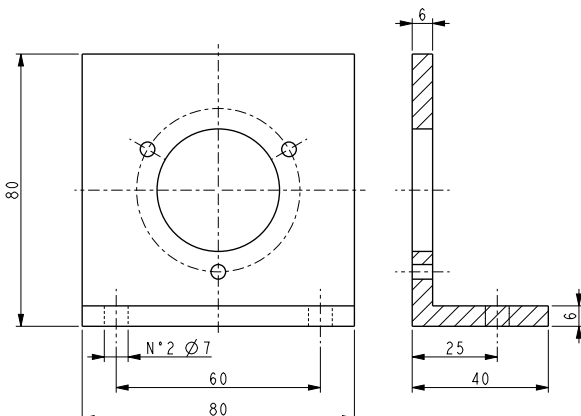
### PF4256 mounting bell

Suitable for all encoders having clamp flange (I58S, ES/EM58S, AS/AM58S). Fixing screws are supplied.



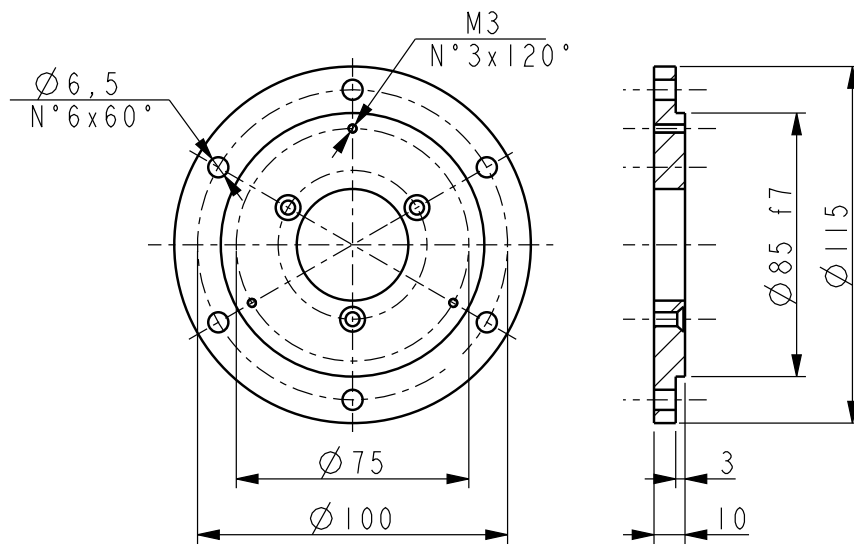
### PF4264 mounting bell

Suitable for all encoders having servo flange (I58, ES/EM58, AS/AM58). Fixing screws are supplied.



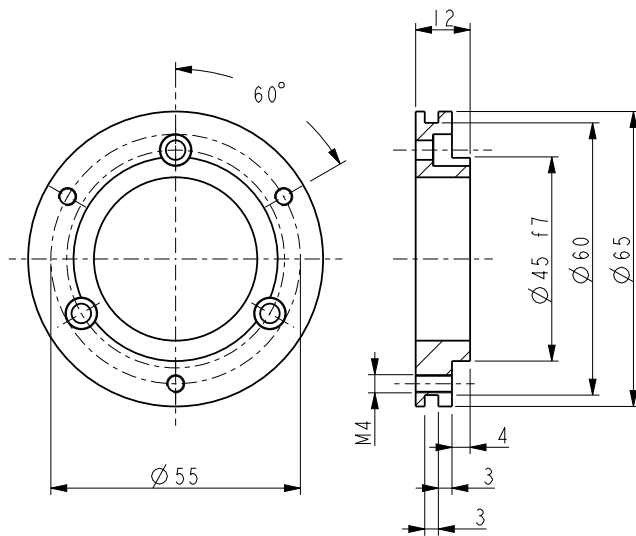
### PF4257 mounting bracket

Suitable for all encoders having clamp flange (I58S, ES/EM58S, AS/AM58S). Fixing screws are supplied.



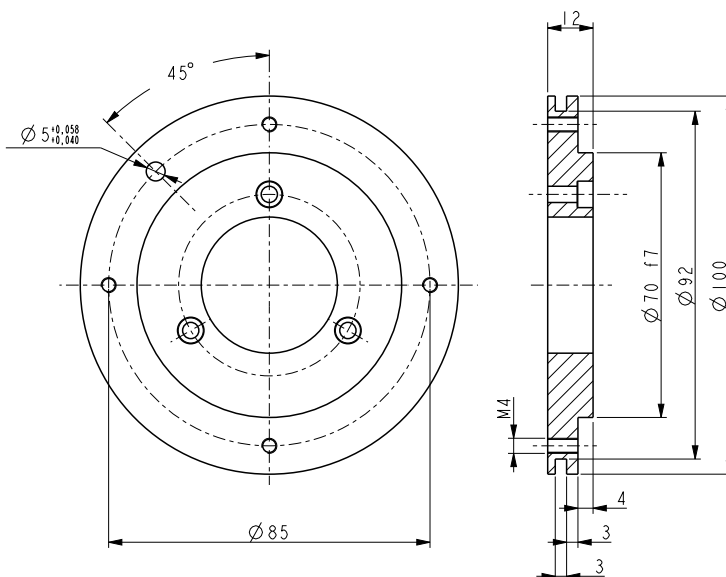
## PF4258 adapter flange

Euroflange B10 adapter for:  
I58S, I65, ES/EM58S, AS/AM58S encoders



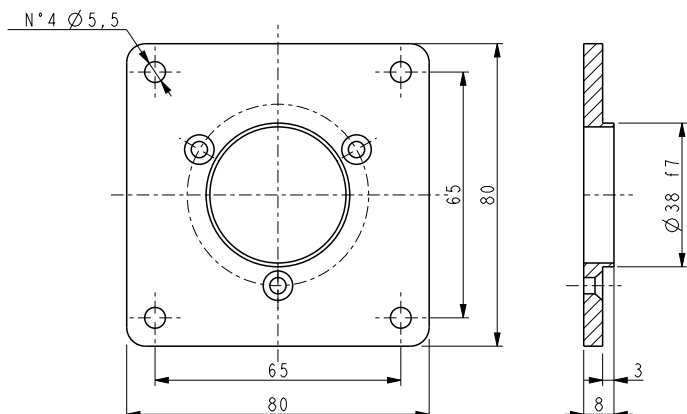
## PF4263 adapter flange

Adapter flange to replace AS6 and AM6  
encoders with AS58S and AM58S series.



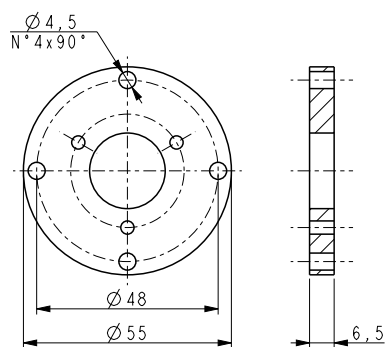
## PF4262 adapter flange

Adapter flange to replace AS1 and AM1  
encoders with AS58S and AM58S series.



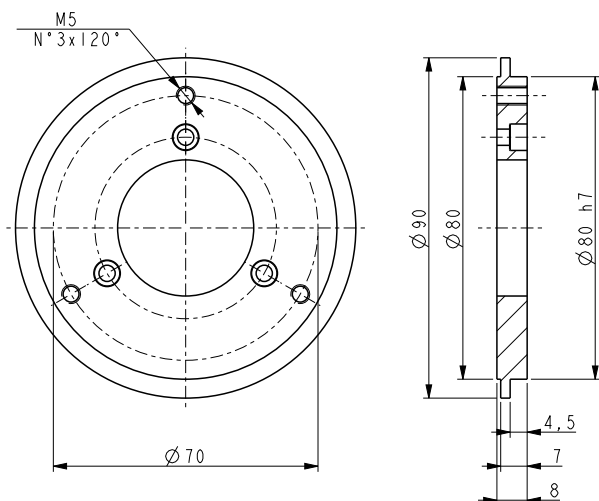
### PF4259 square flange

Adapter for:  
I58S, I65, ES/EM58S, AS/AM58S encoders.  
Fixing screws are supplied.



### PF4266 adapter flange

Adapter flange for:  
I41 encoder for fixing on  $\varnothing 48$  or  $\square 34$  mm  
Fixing screws are supplied.



### PF4274 adapter flange

Adapter flange for:  
I58S, ES/EM58S, AS/AM58S encoders to  
 $\varnothing 90$  mounting.  
Fixing screws are supplied.

# ROTAPULS • ROTACOD

## Accessories

CONNECTOR 1



Example of cordset, EC-M7F-LK-I5-3:

MIL connector 7 pin, standard connection, 5 wires cable, 3 m length

EC

CONNECTOR 1



CONNECTOR 2

Example of extension cable, EXC-M7F-LK-I5-3-M7M-LK:

MIL connector 7 pin, standard connection, 5 wires cable, 3 meters length, 7 pin MIL plug, standard connection

EXC

### Order code

### Additional code for EXC

EC	-	XXXXX	-	XXX	-	XXX	-	X	X	-	X
EXC		Ⓐ		Ⓑ		Ⓒ		Ⓓ			

#### Ⓐ CONNECTOR 1

M7F = MIL connector 7 pin  
M7FP = MIL connector 7 pin + PG  
M10F = MIL connector 10 pin  
M10FP = MIL connector 10 pin + PG  
M19F = MIL connector 19 pin  
M32F = MIL connector 32 pin  
M41F = MIL connector 41 pin  
M7M = MIL 7 pin plug  
M10M = MIL 10 pin plug  
M19M = MIL 19 pin plug  
M32M = MIL 32 pin plug  
M41M = MIL 41 pin plug  
T7M = DIN 7 pin plug  
T12M = DIN 12 pin plug  
T8F = DIN 8 pin plug  
C12F = M23 12 pin connector cw  
CR12F = M23 12 pin connector ccw  
C12M = M23 12 pin plug cw  
CR17F = M23 17 pin connector ccw  
D9M = DSub 9 pin plug  
D15MV = DSub 15 pin plug, hi-density  
D15M = DSub 15 pin plug  
D25M = DSub 25 pin plug  
D9F = DSub 9 pin connector  
D15FV = DSub 15 pin connector, hi-density  
D15F = DSub 15 pin plug  
D25F = DSub 25 pin plug

#### Ⓑ ELECTRICAL CONNECTION 1

LK = Standard Lika  
Sxx = Specific connections

#### Ⓒ CABLE SPECIFICATIONS

I5 = 5 wire cable (AB0)  
I8 = 8 wire cable (AB0 /AB0)  
A8 = 2 x 4 twisted wires cable (AS58, AM58, SSI series)  
A19 = 19 wires cable (AS58 Bit parallel series)  
A32 = 32 wires cable (AM58 Bit parallel series)  
A40 = 40 wires cable (HM58 P Bit parallel series)  
M8 = 8 wires hi-flex cable  
T12 = 12 wires hi-flex twisted cable

#### Ⓓ CABLE LENGTH

1 = 1 m  
3 = 3 m  
5 = 5 m  
10 = 10 m  
15 = 15 m  
... = ...  
20 = 20 m

#### CONNECTOR 2

see connector 1

#### ELECTRICAL CONNECTIONS 2

see electrical connections 1

Note - connector: female connection  
plug: male connection